

SOFT LED 1XL



DATASHEET

DeSisti

SOFT LED 1XL

LED Softlight 120W - CRI>95

White light, either Tungsten or Daylight balanced CCT

OVERVIEW

The SOFT LED 1XL 120W is the DE SISTI answer to the increasing demand of COMPACT BUT WIDE FIXTURES for SOFTLIGHTING.

It is available with a FIXED WHITE CCT either Tungsten balanced or Daylight balanced (CRI>95)

It provides a super even - soft beam projection and the following main features:

- a controlled Beam and SOFT White Source, ideal for multiple camera use in the studio, with more effective control of the beam projection and effective Honeycombs
- a beautiful EVEN DISTRIBUTION and a real quality projection with precise reference white.
- NO PIXEL EFFECT from the LED (which is a problem from many other Brand's LED PANELS in the market).
- Contained Size, reduced weight and exceptional efficiency for energy savings and lit Talent comfort.
- Choice of Manual or Pole operation, the full dimming is through DMX and the LEDs are supplied with DC throughout the 0 to 100% dimming range, for a full FLICKER FREE operation and super smooth cross fades.
- The unit is self contained and requires no other external power supplies or devices....both Mains and DMX connections are DAISY Chainable.

| MODEL | DESCRIPTION |
|----------|---|
| S1XLT.MO | SoftLED 1XL T - Tungsten CCT, Manual Operated |
| S1XLT.PO | SoftLED 1XL T - Tungsten CCT, Pole Operated |
| S1XLD.MO | SoftLED 1XL D - Daylight CCT, Manual Operated |
| S1XLD.PO | SoftLED 1XL D - Daylight CCT, Pole Operated |



WHAT'S INSIDE

FIXTURE HEAD

POWERCON IN & OUT PANEL CONNECTORS.
XLR 5 Pin DMX IN & OUT PANEL CONNECTORS.
120W LED engine
Built In Universal Power Supply 90-250V
50/60Hz DMX controlled.

YOKES

Manual Operated Versions

Mod. S1XLMO.110.40 M.O. stirrup with 28,57 mm. spigot (B.S. 1-1/8"), with top end for "C" clamp

Pole Operated Versions

Mod. S1XLMO.110.40 P.O. yoke with 28,57 mm. spigot (B.S. 1-1/8"), with top end for "C" clamp

ACCESSORIES

Mod. S1XLDIF Diffuser Panel for SOFT LED 1XL

CABLES

Mod. 5403.135 3 mt. (9.8 ft) detachable Blue POWERCON power cable with bare ends.

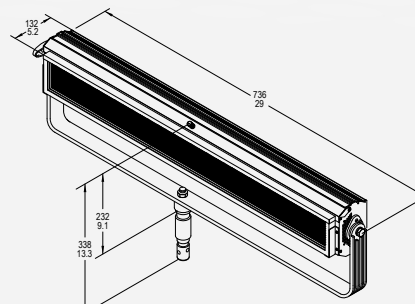
DMX cable is not included, to be ordered separately

SOFT LED 1XL

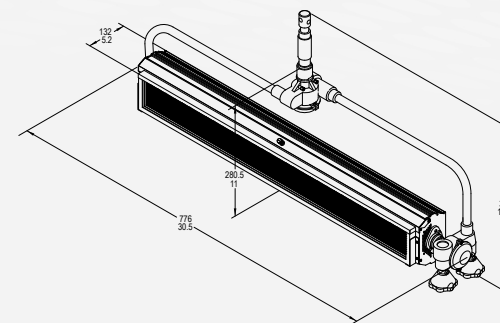
FEATURES - PRELIMINARY INFO

| | |
|---|--|
| Power to LED | 120W - DC current to the LED - flicker free |
| Rated Voltage & PFC | 90-250V 50-60Hz PFC 0,96 |
| Power consumption | 140W @ 230V 150W @120V |
| Power Connection | powerCON IN & OUT |
| DMX Data link USITT DMX512-A | 5-pin XLR for DMX in & out. Use shielded data cables. Do not overload the daisy chain. Up to a maximum of 32 devices can be used on a single DMX chain. |
| DMX Channels | 1 @ 8bit 2 @ 16bit |
| LED BOARDS Lifetime | 50.000 hours with 80% Lumen Maintenance. The LED BOARDS are tested and certified up to LM80 |
| CCT | T: 3.200°K D: 5.600°K |
| CRI / TLCI | T: 96 / 96 D: 96 / 96 |
| Protection Type | IP20 |
| Max. Housing Surface Temperature | 70° C |
| Weight of Fixture with yoke (integrated PSU) | M.O. 4,1 Kg (9.0 lb) P.O. 5,3 Kg (11.7 lb) |

DIMENSION



M.O.



P.O.

FEATURES

Rugged and Lightweight Aluminium extrusion housing with Black Oxidation low glare finishing

High efficiency, silent passive heat management. Thermal stabilization of the LED operating temperature is managed by an internal thermal sensor and CPU, variable fan speed and heat sink to maintain the LEDs at optimal constant temperature.

DMX (or local) control of the Light intensity from 0 to 100% with smooth transition and theatrical quality dimming...flicker free at any dimming level.

100% flicker free system with universal Power Supply unit 90-250V to work in every condition and frame rate.

The accessories are secure regardless of the orientation of the fixture. Accessories have been designed for one hand installation.

Available with either positive lock manual yokes for comfort and ease of handling, or pole operated yokes which can be used via the lighting pole for Panning and Tilting the lights as well as manually, since the mechanical activators are equipped with clutches.

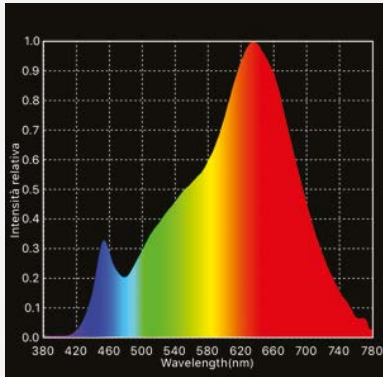
Honeycombs and intensifier accessories work perfectly to shape and control the beam spread.

DMX daisy chaining and Power Pass Through features allow for quicker installations of the lighting system.

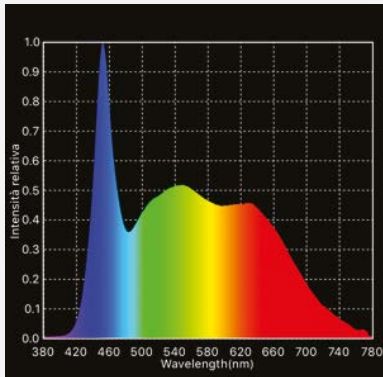
SOFT LED 1XL

SPECTRUM

TUNGSTEN CCT



DAYLIGHT CCT



PHOTOMETRICS - PRELIMINARY INFO

C.C.T. (Correlated Color Temperature) balanced to match 3.200°K TUNGSTEN LAMPS - 120W (CRI>95 - TLCI>96)

Illumination center values at the following distances

| 2 mt 6.6 ft | 3 mt 9.8 ft | 5 mt 16.4 ft |
|----------------|----------------|-----------------|
|----------------|----------------|-----------------|

| | | | | |
|--|----------|--------------------|------------------|------------------|
| S1XL Tungsten w/o Front Accessories Central Light intensity (Candle Power) | 4.280 cd | 1.070 lux 99 FC | 476 lux 44 FC | 171 lux 16 FC |
| S1XL Tungsten with Medium Black H.Comb Central Light intensity (Candle Power) | 3.655 cd | 914 lux 85 FC | 406 lux 38 FC | 146 lux 14 FC |
| S1XL Tungsten with Narrow Black H.Comb Central Light intensity (Candle Power) | 3.501 cd | 875 lux 81 FC | 389 lux 36 FC | 140 lux 13 FC |

C.C.T. (Correlated Color Temperature) balanced to match 5.600°K DAYLIGHT LAMPS - 120W (CRI>95 - TLCI>96)

Illumination center values at the following distances

| 2 mt 6.6 ft | 3 mt 9.8 ft | 5 mt 16.4 ft |
|----------------|----------------|-----------------|
|----------------|----------------|-----------------|

| | | | | |
|--|----------|---------------------|------------------|------------------|
| S1XL Daylight w/o Front Accessories Central Light intensity (Candle Power) | 5.436 cd | 1.359 lux 126 FC | 604 lux 56 FC | 217 lux 20 FC |
| S1XL Daylight with Medium Black H.Comb Central Light intensity (Candle Power) | 4.642 cd | 1.161 lux 108 FC | 516 lux 48 FC | 186 lux 17 FC |
| S1XL Daylight with Narrow Black H.Comb Central Light intensity (Candle Power) | 4.447 cd | 1.112 lux 103 FC | 494 lux 46 FC | 178 lux 17 FC |

BEAM COVERAGE ON SOFT LED 1XL - 120W

| | | | | |
|---|-----|--------------------|--------------------|---------------------|
| Light beam Width with Beam Angle w/o accessories | 98° | 4,60 mt 15.1 ft | 6,90 mt 22.6 ft | 11,50 mt 37.7 ft |
| Light beam Height with Beam Angle w/o accessories | 60° | 2,31 mt 7.6 ft | 3,46 mt 11.4 ft | 5,77 mt 18.9 ft |
| Light beam Width with Beam Angle with Medium Black H.Comb | 60° | 2,31 mt 7.6 ft | 3,46 mt 11.4 ft | 5,77 mt 18.9 ft |
| Light beam Height with Beam Angle with Medium Black H.Comb | 50° | 1,87 mt 6.1 ft | 2,80 mt 9.2 ft | 4,66 mt 15.3 ft |
| Light beam Width with Beam Angle with Narrow Black H.Comb | 35° | 1,26 mt 4.1 ft | 1,89 mt 6.2 ft | 3,15 mt 10.3 ft |
| Light beam Height with Beam Angle with Narrow Black H.Comb | 30° | 1,07 mt 3.5 ft | 1,61 mt 5.3 ft | 2,68 mt 8.8 ft |

SOFT LED 1XL

OPTIONALS & ACCESSORIES

| | |
|----------------------|--|
| S1XLX.XO.DIN | adder code to order DIN Spigot |
| S1XL-HCN | BLACK Honeycomb for SOFT LED 1XL fixtures, 1/4" black honeycomb, NARROW. |
| S1XL-HCM | BLACK Honeycomb for SOFT LED 1XL units, 1/2" black honeycomb, MEDIUM. |
| S1XL-IN | Intensifier for SOFT LED 1XL fixtures |
| S1XL-CF | Color Frame for SOFT LED 1XL fixtures |
| S1XL-CYC | Cyclorama HOOD for asymmetrical emission of SOFT LED 1XL fixtures to illuminate backgrounds & cyscs. |
| S1XLMO.110.40 | Manual Operated Stirrup with B.S. spigot for SOFT LED 1XL fixtures |
| S1XLMO.220.40 | Manual Operated stirrup (w/o spigot) for SOFT LED 1XL fixtures |
| S1XLP0.110.40 | Pole Operated Stirrup with B.S. spigot for SOFT LED 1XL fixtures |
| S1XLP0.300.40 | Pole Operated Stirrup with DIN spigot for SOFT LED 1XL fixtures |