

SOFT LED 2



DATASHEET

DeSisti

SOFT LED 2

LED Softlight 120W - CRI>95
White light, either Tungsten or Daylight balanced

OVERVIEW

The SOFT LED 2 120W is the DE SISTI answer to the increasing demand of COMPACT FIXTURES for SOFTLIGHTING.

It is available with a FIXED WHITE CCT either Tungsten balanced or Daylight balanced (CRI>95)

It provides a super even - soft beam projection and the following main features:

- a controlled Beam and SOFT White Source, ideal for multiple camera use in the studio, with more effective control of the beam projection and effective Honeycombs
- a beautiful EVEN DISTRIBUTION and a real quality projection with precise reference white.
- NO PIXEL EFFECT from the LED (which is a problem from many other Brand's LED PANELS in the market).
- Contained Size, reduced weight and exceptional efficiency for energy savings and lit Talent comfort.
- Choice of Manual or Pole operation, the full dimming is through DMX and the LEDs are supplied with DC throughout the 0 to 100% dimming range, for a full FLICKER FREE operation and super smooth cross fades.
- The unit is self contained and requires no other external power supplies or devices....both Mains and DMX connections are DAISY Chainable.

MODEL	DESCRIPTION
S2T.MO	SoftLED 2 T - Tungsten CCT, Manual Operated
S2T.PO	SoftLED 2 T - Tungsten CCT, Pole Operated
S2D.MO	SoftLED 2 D - Daylight CCT, Manual Operated
S2D.PO	SoftLED 2 D - Daylight CCT, Pole Operated



WHAT'S INSIDE

FIXTURE HEAD

POWERCON IN & OUT PANEL CONNECTORS.
XLR 5 Pin DMX IN & OUT PANEL CONNECTORS.
120W LED engine
Built In Universal Power Supply 90-250V
50/60Hz DMX controlled.

YOKES

Manual Operated Versions

Mod. S2MO.110.40 M.O. stirrup with 28,57 mm. spigot (B.S. 1-1/8"), with top end for "C" clamp

Pole Operated Versions

Mod. S2MO.110.40 P.O. yoke with 28,57 mm. spigot (B.S. 1-1/8"), with top end for "C" clamp

ACCESSORIES

Mod. S2DIF Diffuser Panel for SOFT LED 2

CABLES

Mod. 5403.135 3 mt. (9.8 ft) detachable Blue POWERCON power cable with bare ends.

DMX cable is not included, to be ordered separately

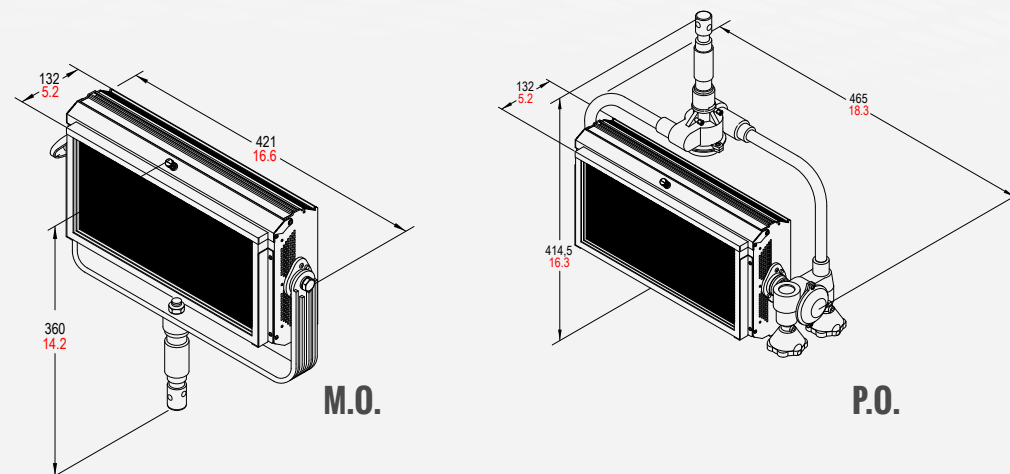


SOFT LED 2

FEATURES

Power to LED	120W - DC current to the LED - flicker free
Rated Voltage & PFC	90-250V 50-60Hz PFC 0,96
Power consumption	140W @ 230V 150W @120V
Power Connection	powerCON IN & OUT
DMX Data link USITT DMX512-A	5-pin XLR for DMX in & out. Use shielded data cables. Do not overload the daisy chain. Up to a maximum of 32 devices can be used on a single DMX chain.
DMX Channels	1 @ 8bit 2 @ 16bit
LED BOARDS Lifetime	60.000 hours with 70% Lumen Maintenance. The LED BOARDS are tested and certified up to LM80
CCT	T: 3.200°K D: 5.600°K
CRI / TLCI	T: 96 / 96 D: 96 / 96
Protection Type	IP20
Max. Housing Surface Temperature	70° C
Weight of Fixture with yoke (integrated PSU)	M.O. 4,1 Kg (9.0 lb) P.O. 5,3 Kg (11.7 lb)

DIMENSION



FEATURES

Rugged and Lightweight Aluminium extrusion housing with Black Oxidation low glare finishing

High efficiency, silent passive heat management. Thermal stabilization of the LED operating temperature is managed by an internal thermal sensor and CPU, variable fan speed and heat sink to maintain the LEDs at optimal constant temperature.

DMX (or local) control of the Light intensity from 0 to 100% with smooth transition and theatrical quality dimming...flicker free at any dimming level.

100% flicker free system with universal Power Supply unit 90-250V to work in every condition and frame rate.

The accessories are secure regardless of the orientation of the fixture. Accessories have been designed for one hand installation.

Available with either positive lock manual yokes for comfort and ease of handling, or pole operated yokes which can be used via the lighting pole for Panning and Tilting the lights as well as manually, since the mechanical activators are equipped with clutches.

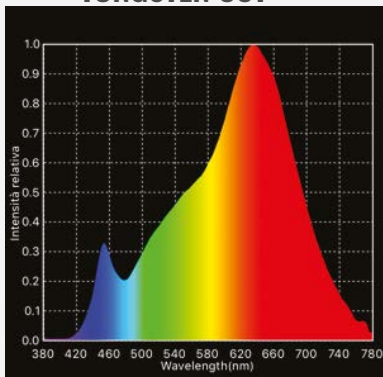
Honeycombs and intensifier accessories work perfectly to shape and control the beam spread.

DMX daisy chaining and Power Pass Through features allow for quicker installations of the lighting system.

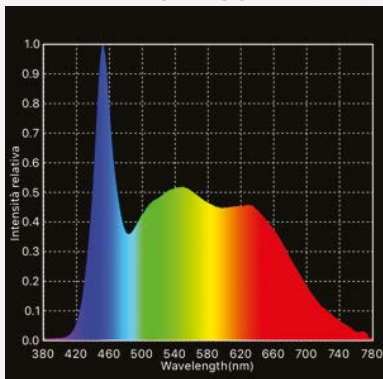
SOFT LED 2

SPECTRUM

TUNGSTEN CCT



DAYLIGHT CCT



PHOTOMETRICS

C.C.T. (Correlated Color Temperature) balanced to match 3.200°K TUNGSTEN LAMPS - 120W (CRI>95 - TLCI>96)

Illumination center values at the following distances

2 mt 6.6 ft	3 mt 9.8 ft	5 mt 16.4 ft
----------------	----------------	-----------------

SL2 Tungsten w/o Front Accessories Central Light intensity (Candle Power)	4.092 cd	1.023 lux 95 FC	455 lux 42 FC	164 lux 15 FC
SL2 Tungsten with Medium Black H.Comb Central Light intensity (Candle Power)	3.494 cd	874 lux 81 FC	388 lux 36 FC	140 lux 13 FC
SL2 Tungsten with Narrow Black H.Comb Central Light intensity (Candle Power)	3.347 cd	837 lux 78 FC	372 lux 35 FC	134 lux 12 FC

C.C.T. (Correlated Color Temperature) balanced to match 5.600°K DAYLIGHT LAMPS - 120W (CRI>95 - TLCI>96)

Illumination center values at the following distances

2 mt 6.6 ft	3 mt 9.8 ft	5 mt 16.4 ft
----------------	----------------	-----------------

SL2 Daylight w/o Front Accessories Central Light intensity (Candle Power)	4.853 cd	1.213 lux 113 FC	539 lux 50 FC	194 lux 18 FC
SL2 Daylight with Medium Black H.Comb Central Light intensity (Candle Power)	4.389 cd	1.097 lux 102 FC	488 lux 45 FC	176 lux 16 FC
SL2 Daylight with Narrow Black H.Comb Central Light intensity (Candle Power)	4.204 cd	1.051 lux 98 FC	467 lux 43 FC	168 lux 16 FC

BEAM COVERAGE ON SOFT LED 2 - 120W

Light beam Width with Beam Angle w/o accessories	110°	5,71 mt 18.7 ft	8,57 mt 28.1 ft	14,28 mt 46.9 ft
Light beam Height with Beam Angle w/o accessories	96°	4,44 mt 14.6 ft	6,66 mt 21.9 ft	11,11 mt 36.4 ft
Light beam Width with Beam Angle with Medium Black H.Comb	60°	2,31 mt 7.6 ft	3,46 mt 11.4 ft	5,77 mt 18.9 ft
Light beam Height with Beam Angle with Medium Black H.Comb	55°	2,08 mt 6.8 ft	3,12 mt 10.2 ft	5,21 mt 17.1 ft
Light beam Width with Beam Angle with Narrow Black H.Comb	35°	1,26 mt 4.1 ft	1,89 mt 6.2 ft	3,15 mt 10.3 ft
Light beam Height with Beam Angle with Narrow Black H.Comb	35°	1,26 mt 4.1 ft	1,89 mt 6.2 ft	3,15 mt 10.3 ft

SOFT LED 2

OPTIONALS & ACCESSORIES

S2PX.X0.DIN	adder code to order DIN Spigot
S2-HCN	BLACK Honeycomb for SOFT LED 2 fixtures, 1/4" black honeycomb, NARROW.
S2-HCM	BLACK Honeycomb for SOFT LED 2 units, 1/2" black honeycomb, MEDIUM.
S2-IN	Intensifier for SOFT LED 2 fixtures
S2-CF	Color Frame for SOFT LED 2 fixtures
S2-CYC	Cyclorama HOOD for asymmetrical emission of SOFT LED 2 fixtures to illuminate backgrounds & cys.
S2MO.110.40	Manual Operated Stirrup with B.S. spigot for SOFT LED 2 fixtures
S2MO.220.40	Manual Operated stirrup (w/o spigot) for SOFT LED 2 fixtures
S2PO.110.40	Pole Operated Stirrup with B.S. spigot for SOFT LED 2 fixtures
S2PO.300.40	Pole Operated Stirrup with DIN spigot for SOFT LED 2 fixtures