

# SOFT LED 8



DATASHEET

DeSisti

# SOFT LED 8

LED Softlight 360W - CRI>95  
White light, either Tungsten or Daylight balanced

## OVERVIEW

The SOFT LED 8 360W is the DE SISTI answer to the increasing demand of COMPACT FIXTURES for SOFTLIGHTING.

It is available with a FIXED WHITE CCT either Tungsten balanced or Daylight balanced (CRI>95)

It provides a super even - soft beam projection and the following main features:

- a controlled Beam and SOFT White Source, ideal for multiple camera use in the studio, with more effective control of the beam projection and effective Honeycombs
- a beautiful EVEN DISTRIBUTION and a real quality projection with precise reference white.
- NO PIXEL EFFECT from the LED (which is a problem from many other Brand's LED PANELS in the market).
- Contained Size, reduced weight and exceptional efficiency for energy savings and lit Talent comfort.
- Choice of Manual or Pole operation, the full dimming is through DMX and the LEDs are supplied with DC throughout the 0 to 100% dimming range, for a full FLICKER FREE operation and super smooth cross fades.
- The unit is self contained and requires no other external power supplies or devices....both Mains and DMX connections are DAISY Chainable.



## WHAT'S INSIDE

### FIXTURE HEAD

POWERCON IN & OUT PANEL CONNECTORS.  
XLR 5 Pin DMX IN & OUT PANEL CONNECTORS.  
360W LED engine  
Built In Universal Power Supply 90-250V  
50/60Hz DMX controlled.

### YOKES

#### Manual Operated Versions

Mod. S8MO.110.40 M.O. stirrup with 28,57 mm. spigot (B.S. 1-1/8"), with top end for "C" clamp

#### Pole Operated Versions

Mod. S8MO.110.40 P.O. yoke with 28,57 mm. spigot (B.S. 1-1/8"), with top end for "C" clamp

### ACCESSORIES

Mod. S8DIF Diffuser Panel for SOFT LED 8

### CABLES

Mod. 5403.135 3 mt. (9.8 ft) detachable Blue POWERCON power cable with bare ends.

DMX cable is not included, to be ordered separately

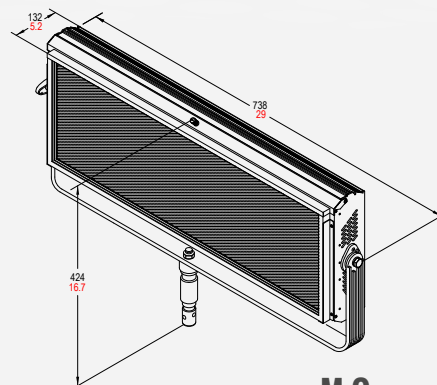
MODEL	DESCRIPTION
S8T.MO	SoftLED 8 T - Tungsten CCT, Manual Operated
S8T.PO	SoftLED 8 T - Tungsten CCT, Pole Operated
S8D.MO	SoftLED 8 D - Daylight CCT, Manual Operated
S8D.PO	SoftLED 8 D - Daylight CCT, Pole Operated

# SOFT LED 8

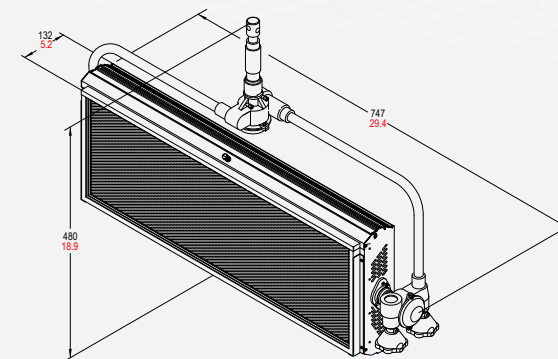
## FEATURES

<b>Power to LED</b>	360W - DC current to the LED - flicker free
<b>Rated Voltage &amp; PFC</b>	90-250V 50-60Hz PFC 0,96
<b>Power consumption</b>	400W @ 230V   400W @120V
<b>Power Connection</b>	powerCON IN & OUT
<b>DMX Data link USITT DMX512-A</b>	5-pin XLR for DMX in & out. Use shielded data cables. Do not overload the daisy chain. Up to a maximum of 32 devices can be used on a single DMX chain.
<b>DMX Channels</b>	1 @ 8bit   2 @ 16bit
<b>LED BOARDS Lifetime</b>	60.000 hours with 70% Lumen Maintenance. The LED BOARDS are tested and certified up to LM80
<b>CCT</b>	<b>T:</b> 3.200°K <b>D:</b> 5.600°K
<b>CRI / TLCI</b>	<b>T:</b> 96 / 96 <b>D:</b> 96 / 96
<b>Protection Type</b>	IP20
<b>Max. Housing Surface Temperature</b>	70° C
<b>Weight of Fixture with yoke (integrated PSU)</b>	<b>M.O.</b> 11,0 Kg (24.3 lb) <b>P.O.</b> 12,3 Kg (27.1 lb)

## DIMENSION



M.O.



P.O.

## FEATURES

Rugged and Lightweight Aluminium extrusion housing with Black Oxidation low glare finishing

High efficiency, silent passive heat management. Thermal stabilization of the LED operating temperature is managed by an internal thermal sensor and CPU, variable fan speed and heat sink to maintain the LEDs at optimal constant temperature.

DMX (or local) control of the Light intensity from 0 to 100% with smooth transition and theatrical quality dimming...flicker free at any dimming level.

100% flicker free system with universal Power Supply unit 90-250V to work in every condition and frame rate.

The accessories are secure regardless of the orientation of the fixture. Accessories have been designed for one hand installation.

Available with either positive lock manual yokes for comfort and ease of handling, or pole operated yokes which can be used via the lighting pole for Panning and Tilting the lights as well as manually, since the mechanical activators are equipped with clutches.

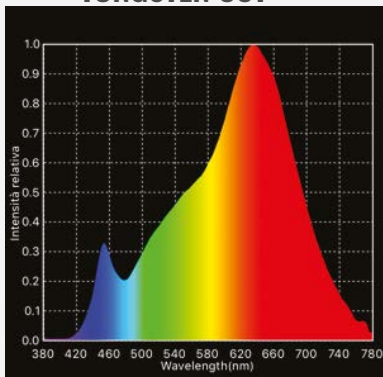
Honeycombs and intensifier accessories work perfectly to shape and control the beam spread.

DMX daisy chaining and Power Pass Through features allow for quicker installations of the lighting system.

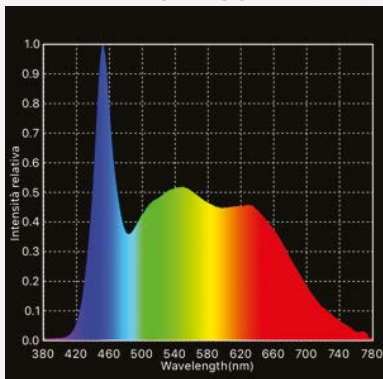
# SOFT LED 8

## SPECTRUM

### TUNGSTEN CCT



### DAYLIGHT CCT



## PHOTOMETRICS

C.C.T. (Correlated Color Temperature) balanced to match 3.200°K TUNGSTEN LAMPS - 360W (CRI>95 - TLCI>96)

Illumination center values at the following distances

2 mt 6.6 ft	3 mt 9.8 ft	5 mt 16.4 ft
----------------	----------------	-----------------

SL8 Tungsten w/o Front Accessories Central Light intensity (Candle Power)	14.898 cd	3.725 lux 346 FC	1.655 lux 154 FC	596 lux 55 FC
SL8 Tungsten with Medium Black H.Comb Central Light intensity (Candle Power)	12.723 cd	3.181 lux 296 FC	1.414 lux 131 FC	509 lux 47 FC
SL8 Tungsten with Narrow Black H.Comb Central Light intensity (Candle Power)	12.187 cd	3.047 lux 283 FC	1.354 lux 126 FC	487 lux 45 FC

C.C.T. (Correlated Color Temperature) balanced to match 5.600°K DAYLIGHT LAMPS - 360W (CRI>95 - TLCI>96)

Illumination center values at the following distances

2 mt 6.6 ft	3 mt 9.8 ft	5 mt 16.4 ft
----------------	----------------	-----------------

SL8 Daylight w/o Front Accessories Central Light intensity (Candle Power)	19.854 cd	4.964 lux 461 FC	2.206 lux 205 FC	794 lux 74 FC
SL8 Daylight with Medium Black H.Comb Central Light intensity (Candle Power)	16.955 cd	4.239 lux 394 FC	1.884 lux 175 FC	678 lux 63 FC
SL8 Daylight with Narrow Black H.Comb Central Light intensity (Candle Power)	16.241 cd	4.060 lux 377 FC	1.805 lux 168 FC	650 lux 60 FC

### BEAM COVERAGE ON SOFT LED 8 - 360W

Light beam Width with Beam Angle w/o accessories	96°	4,44 mt 14,6 ft	6,66 mt 21,9 ft	11,11 mt 36,4 ft
Light beam Height with Beam Angle w/o accessories	66°	2,60 mt 8,5 ft	3,90 mt 12,8 ft	6,49 mt 21,3 ft
Light beam Width with Beam Angle with Medium Black H.Comb	49°	1,82 mt 6,0 ft	2,73 mt 9,0 ft	4,56 mt 15,0 ft
Light beam Height with Beam Angle with Medium Black H.Comb	40°	1,46 mt 4,8 ft	2,18 mt 7,2 ft	3,64 mt 11,9 ft
Light beam Width with Beam Angle with Narrow Black H.Comb	32°	1,15 mt 3,8 ft	1,72 mt 5,6 ft	2,87 mt 9,4 ft
Light beam Height with Beam Angle with Narrow Black H.Comb	30°	1,07 mt 3,5 ft	1,61 mt 5,3 ft	2,68 mt 8,8 ft

# SOFT LED 8

## OPTIONALS & ACCESSORIES

<b>S8PX.X0.DIN</b>	adder code to order DIN Spigot
<b>S8-HCN</b>	BLACK Honeycomb for SOFT LED 8 fixtures, 1/4" black honeycomb, NARROW.
<b>S8-HCM</b>	BLACK Honeycomb for SOFT LED 8 units, 1/2" black honeycomb, MEDIUM.
<b>S8-IN</b>	Intensifier for SOFT LED 8 fixtures
<b>S8-CF</b>	Color Frame for SOFT LED 8 fixtures
<b>S8-CYC</b>	Cyclorama HOOD for asymmetrical emission of SOFT LED 8 fixtures to illuminate backgrounds & cys.
<b>S8MO.110.40</b>	Manual Operated Stirrup with B.S. spigot for SOFT LED 8 fixtures
<b>S8MO.220.40</b>	Manual Operated stirrup (w/o spigot) for SOFT LED 8 fixtures
<b>S8PO.110.40</b>	Pole Operated Stirrup with B.S. spigot for SOFT LED 8 fixtures
<b>S8PO.300.40</b>	Pole Operated Stirrup with DIN spigot for SOFT LED 8 fixtures