

# **SPACE LIGHT**



**PRELIMINARY INFORMATION**

**DeSisti**

# SPACE LIGHT

LED light 300W - CRI>95  
Tunable Correlated Color Temperature from 2.800 to 6.600°K



## WHAT'S INSIDE

### FIXTURE HEAD

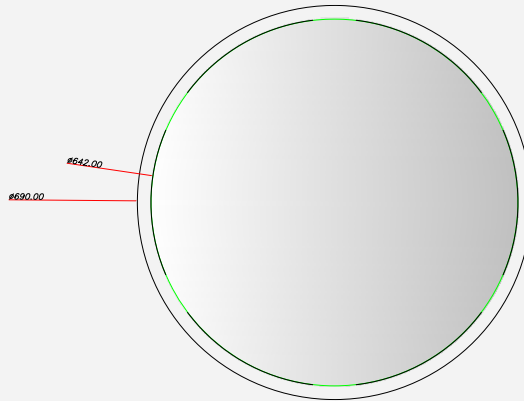
POWERCON IN & OUT PANEL CONNECTORS.  
XLR 5 Pin DMX IN & OUT PANEL CONNECTORS.  
300W LED engine with Variable Correlated  
Color Temperature (CCT) from 2.800°K till  
6.600 °K  
Universal Power Supply 90-250V 50/60Hz  
DMX controlled.

### CABLES

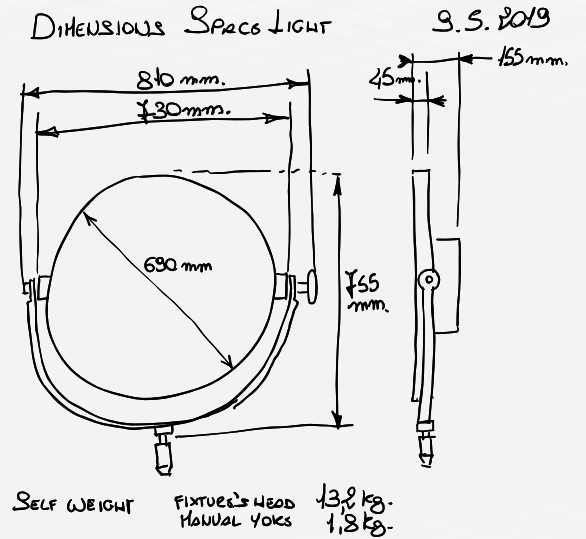
Mod. 5403.135 3 mt. (9.8 ft) detachable Blue  
POWERCON power cable with bare ends.

DMX cable is not included, to be ordered  
separately

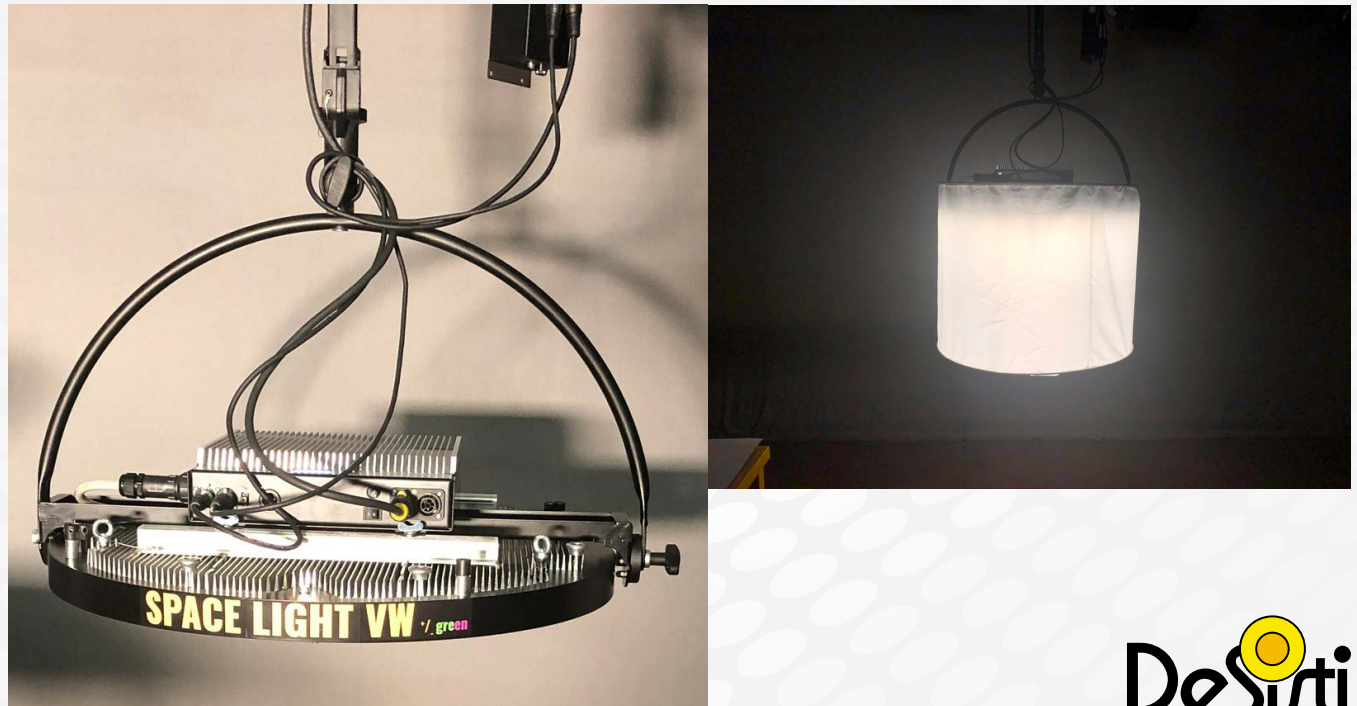
# SPACE LIGHT



## DIMENSION



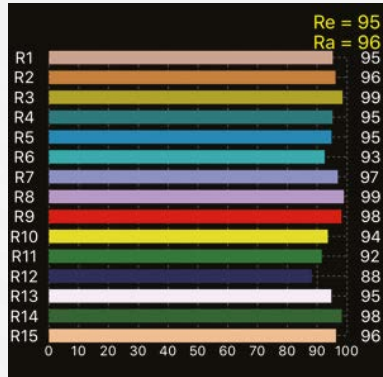
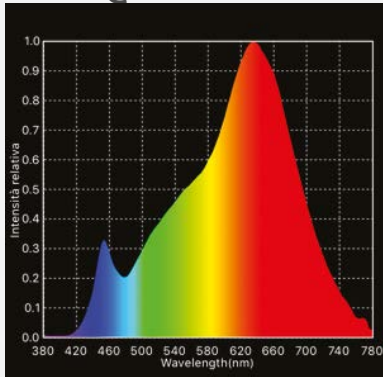
FEATURES	
<b>Power to LED</b>	300W - DC current to the LED - flicker free
<b>Rated Voltage &amp; PFC</b>	90-250V 50-60Hz PFC 0,96
<b>Power consumption</b>	330W @ 230V   330W @120V
<b>Power Connection</b>	powerCON IN & OUT
<b>DMX Data link USITT DMX512-A</b>	5-pin XLR for DMX in & out. Use shielded data cables. Do not overload the daisy chain. Up to a maximum of 32 devices can be used on a single DMX chain.
<b>DMX Channels</b>	3: Dimmer/Light Intensity, CCT Control, Mode of CCT Control (steps or continuous)
<b>LED BOARDS Life-time</b>	60.000 hours with 70% Lumen Maintenance. The LED BOARDS are tested and certified up to LM80
<b>CCT</b>	Tunable from 2.800°K to 6.600°K
<b>CRI / TLCI</b>	<b>T:</b> 96 / 96 <b>D:</b> 96 / 96
<b>Protection Type</b>	IP20
<b>Max. Housing Surface Temperature</b>	70° C
<b>Weight of Fixture, Yoke and PSU</b>	Fixture's Head 18 Kg (39.68 lb) Manual Yoke 2 Kg (4.41 lb) PSU 5,5 Kg (12.13 lb)



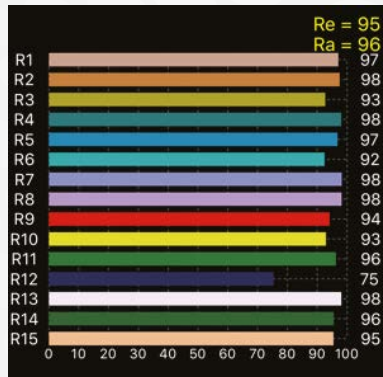
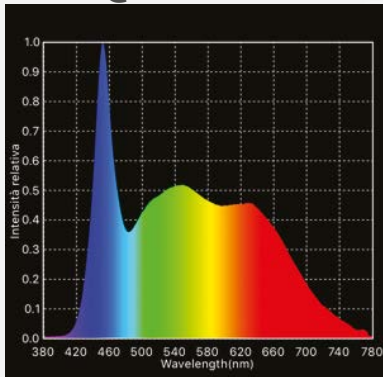
# SPACE LIGHT

## SPECTRUM

@2.800°K



@6.600°K



## PHOTOMETRICS

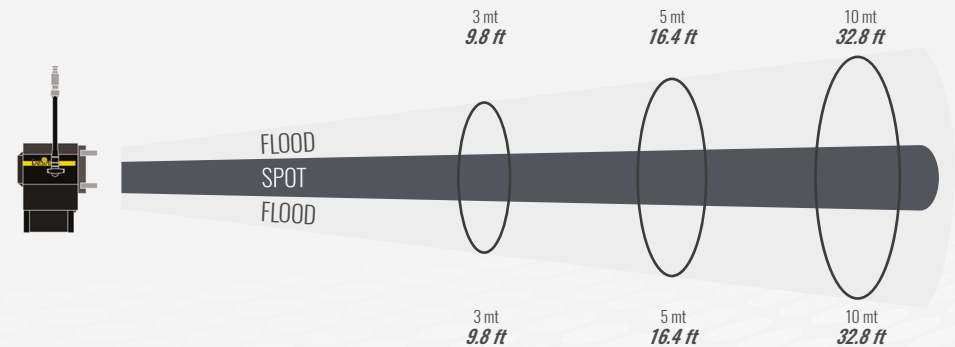
### // SPACE LIGHT VW

Central Light intensity (Candle Power)

Illumination center values at Distances

FULL FLOOD - C.C.T. tunable from 2.800°K to 6.600°K - 270W (CRI >95) - TLCI: >96

FLOOD @ 2.800°K CCT	8.559 cd	951 lux <i>88 FC</i>	342 lux <i>32 FC</i>	86 lux <i>8 FC</i>
FLOOD @ 6.600°K CCT	10.962 cd	1.218 lux <i>113 FC</i>	438 lux <i>41 FC</i>	110 lux <i>10 FC</i>



Light beam diameter with Beam Angle  
(50% of center value)

Beam Sizes

BEAM ANGLE (50% of center value)	108°	8,26 mt <i>27.1 ft</i>	13,76 mt <i>45.2 ft</i>	27,53 mt <i>90.3 ft</i>
FIELD ANGLE (10% of center value)	164°	42,69 mt <i>140.1 ft</i>	71,15 mt <i>233.4 ft</i>	142,31 mt <i>466.9 ft</i>

LUX AT ANY DISTANCE = Candle Power: [Distance(in m.)]<sup>2</sup>

FC. AT ANY DISTANCE = Candle Power: [Distance(in ft)]<sup>2</sup>

