

# SUPER LED F14HP VW



DATASHEET

DeSisti

# SUPER LED F14HP VW

**LED Fresnel Spotlight 580W Vari-White - CRI>95**

White light, with Tunable Correlated Color Temperature from 2.800 to 6.600°K

## OVERVIEW

The Super LED F14HP Vari-White maintains the high efficiency DE SISTI Internationally Patented optical system for LED FRESNEL while the innovative white phosphors LED ARRAY provides the ability to tune the Correlated Color Temperature from a minimum of 2.800°K to a maximum of 6.600°K with an enhanced CRI (Color Rendering Index) higher than 95 at any CCT within the range.

The Lighting Fixture is DMX Controlled for:

- 0 to 100% with a super smooth Dimming
- STEP MODE for CCT Control: Increments of 400°K every 10% of DMX variation
- CONTINUOUS MODE for CCT control.

The fixture combines the classical SPOT/FLOOD beam control on an equivalent FOCUS RANGE to a conventional lamp fresnel, with an excellent barn door cutting.

It utilizes Standard accessories from the DE SISTI range of equivalent Fresnel Lens size, such as Barndoor, Color Frame, Cones, Scrims.

MODEL	DESCRIPTION
F14VWHP.MO	Super LED F14HP VW - Tunable CCT, Manual Operated
F14VWHP.PO	Super LED F14HP VW - Tunable CCT, Pole Operated



## WHAT'S INSIDE

### FIXTURE HEAD

350 mm. (14") diameter Fresnel lens  
POWERCON IN & OUT PANEL CONNECTORS.  
XLR 5 Pin DMX IN & OUT PANEL CONNECTORS.  
580W high output CRI>95 De Sisti LED with  
Tunable CCT from 2.800°K till 6.600 °K

Built In Universal Power Supply 90-250V  
50/60Hz DMX controlled.

### YOKES

#### Manual Operated Versions

Mod. LT350.110.40 M.O. yoke with 28,57 mm  
(B.S. 1 1/8") with top end for "C" clamp

#### Pole Operated Versions

Mod. 351.110.40 P.O. yoke with 28,57 mm.  
spigot (B.S. 1 1/8"), with top end for "C" clamp

### ACCESSORIES

Mod. 356.110 four leaf rotating barndoor  
Mod. 357.300 color frame

### CABLES

Mod. 5403.135 3 mt. (9.8 ft) detachable Blue  
POWERCON power cable with bare ends.

DMX cable is not included, to be ordered  
separately

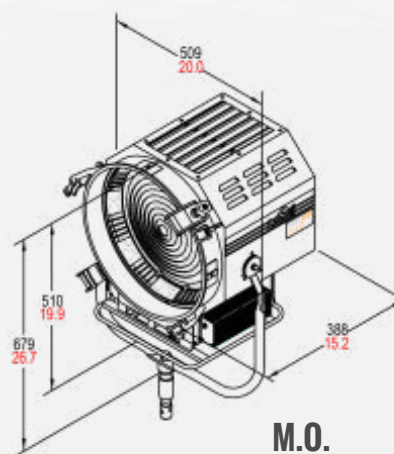
**DeSisti**

# SUPER LED F14HP VW

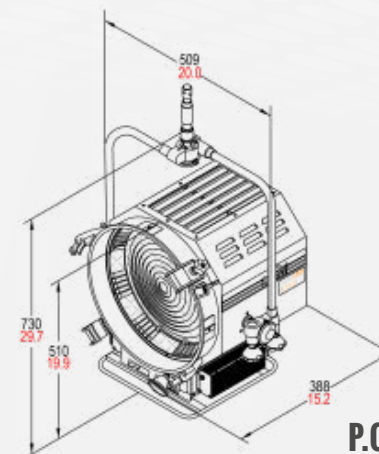
## FEATURES

<b>Power to LED</b>	580W - flicker free
<b>Rated Voltage &amp; PFC</b>	90-250V 50-60Hz PFC 0,96
<b>Power consumption</b>	650W @ 230V   650W @120V
<b>Power Connection</b>	powerCON IN & OUT
<b>DMX Data link USITT DMX512-A</b>	5-pin XLR for DMX in & out. Use shielded data cables. Do not overload the daisy chain. Up to a maximum of 32 devices can be used on a single DMX chain.
<b>DMX Channels</b>	3: Dimmer/Light Intensity, CCT Control, Mode of CCT Control (steps or continuous)
<b>LED ARRAY Lifetime</b>	50.000 hours with 70% Lumen Maintenance. The LED ARRAYS are tested and certified up to LM80
<b>CCT</b>	Tunable from 2.800°K to 6.600°K
<b>CRI / TLCI</b>	CRI>95 TLCI:96
<b>Protection Type</b>	IP20
<b>Max. Housing Surface Temperature</b>	70° C
<b>Weight of Fixture</b>	<b>M.O.</b> 18,5 Kg (40.8 lb) <b>P.O.</b> 20,0 Kg (44.1 lb)
<b>Weight of Barndoor</b>	4 leaf 1,85 Kg (4.08 lb)   8 leaf 2,1 Kg (4.63 lb)
<b>Weight of color frame</b>	0,5 Kg (1.10 lb)
<b>Barndoor ring diameter</b>	Seat: 402mm / 15 4/5" - Accessory: 399mm / 15 2/3"
<b>Scrims &amp; color frame diameter</b>	Seat 395mm / 15 1/2" - Accessory: 393mm / 15 1/2"
<b>Lens diameter</b>	350mm / 14"

## DIMENSION



M.O.



P.O.

## FEATURES

350 mm. (14") diameter high quality, shock resistant Borosilicate glass Fresnel lens on spring supports.

Rugged and lightweight Carbon Steel Housing with low glare black epoxy powder coating and reinforces internal double walls.

Vari-White CCT technology with a range from 2.800°K to 6.600°K

CRI Greater than 95 at any CCT within the range

High efficiency Self Stabilizing Active Cooling: automatic, thermal stabilization of the LED operating temperature is managed by an internal thermal sensor and CPU, variable speed fan and heat sink to maintain the LED Array's constant temperature at a maximum of 65°C. The hydro dynamic bearing fan operates silently with a very low RPM.

Special Patented Optics for LED Technology.

Helix Screw driven focus mechanism which guides Teflon bushings supported LED ENGINE along 2 rods. This ensures smooth operation during focusing in any tilting position of the fixture. The Teflon bushings also provide a wiping action, which cleans the steel guide rails during focus.

The unit is equipped with a hinged lens door and wire guard. One of the 4 accessory brackets has a spring loaded locking knob to safely secure external accessories.

Accessories have been designed for one hand installation.

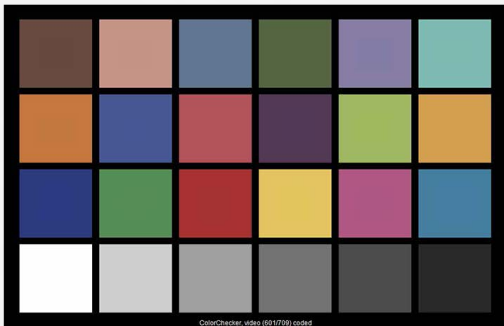
Available with either positive lock manual yokes for comfort and ease of handling, or pole operated yokes which can be used via the lighting pole for Panning and Tilting the lights as well as manually, since the mechanical activators are equipped with clutches.

# SUPER LED F14HP VW

## TLCI

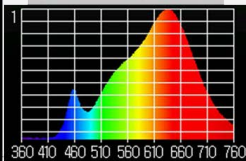
### TUNGSTEN CCT

De Sisti SUPER LED F14HP VW - 580W - @2800°K : CCT = P2791 (+0.3)  
TLCI-2012: 96 (P2791)



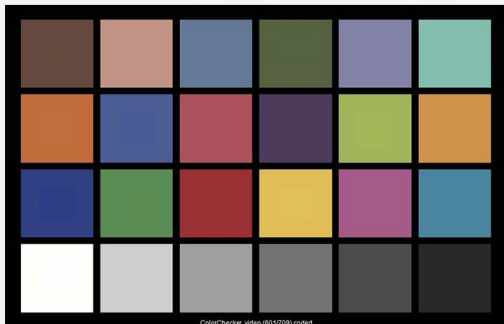
### Television Lighting Consistency Index-2012

Sector	Lightness	Chroma	Hue
R	0	0	0
RY	0	0	-
Y	0	0	-
YG	0	0	0
G	0	0	0
GC	0	0	0
C	0	0	+
C/B	0	0	-
B	0	-	-
B/M	0	0	+
M	0	0	+
M/R	0	0	+



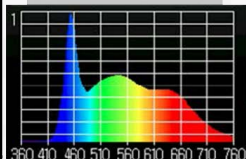
### DAYLIGHT CCT

De Sisti SUPER LED F14HP VW - 580W - @6600°K : CCT = D6990 (+0.4)  
TLCI-2012: 96 (D6990)



### Television Lighting Consistency Index-2012

Sector	Lightness	Chroma	Hue
R	0	0	0
RY	0	0	-
Y	0	0	-
YG	0	0	0
G	0	0	0
GC	0	0	0
C	0	0	-
C/B	0	0	-
B	0	-	-
B/M	0	0	0
M	0	0	0
M/R	0	0	0



## PHOTOMETRICS

### // SUPER LED F14HP VW

Central Light intensity (Candle Power)

Illumination center values at Distances

#### FULL FLOOD - C.C.T. tunable from 2.800°K to 6.600°K - 580W (CRI >95) - TLCI: 96

FLOOD @ 2.800°K CCT	49.500 cd	1.980 lux <i>184 FC</i>	495 lux <i>46 FC</i>	220 lux <i>20 FC</i>
---------------------	-----------	----------------------------	-------------------------	-------------------------

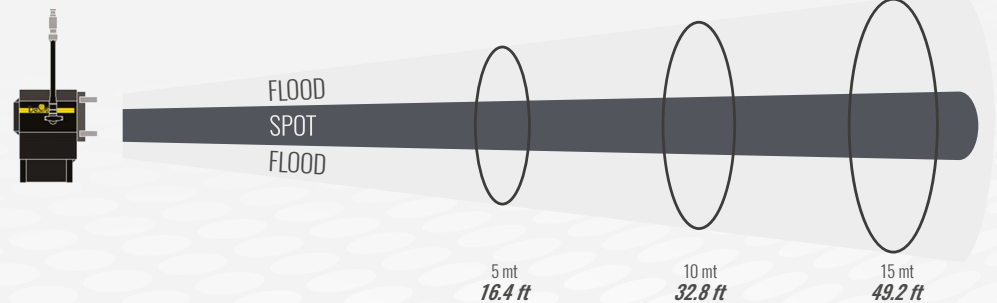
FLOOD @ 6.600°K CCT	64.440 cd	2.578 lux <i>239 FC</i>	644 lux <i>60 FC</i>	286 lux <i>27 FC</i>
---------------------	-----------	----------------------------	-------------------------	-------------------------

#### FULL SPOT - C.C.T. tunable from 2.800°K to 6.600°K - 580W (CRI >95) - TLCI: 96

SPOT @ 2.800°K CCT	259.200 cd	10.368 lux <i>963 FC</i>	2.592 lux <i>241 FC</i>	1.152 lux <i>107 FC</i>
--------------------	------------	-----------------------------	----------------------------	----------------------------

SPOT @ 6.600°K CCT	330.300 cd	13.212 lux <i>1,227 FC</i>	3.303 lux <i>307 FC</i>	1.468 lux <i>136 FC</i>
--------------------	------------	-------------------------------	----------------------------	----------------------------

5 mt *16.4 ft*      10 mt *32.8 ft*      15 mt *49.2 ft*



Light beam diameter with Beam Angle (50% of center value)

FLOOD	52°	4,88 mt <i>16.0 ft</i>	9,75 mt <i>32.0 ft</i>	14,63 mt <i>48.0 ft</i>
-------	-----	---------------------------	---------------------------	----------------------------

SPOT	13°	1,14 mt <i>3.7 ft</i>	2,28 mt <i>7.5 ft</i>	3,42 mt <i>11.2 ft</i>
------	-----	--------------------------	--------------------------	---------------------------

Light beam diameter with Field Angle (10% of center value)

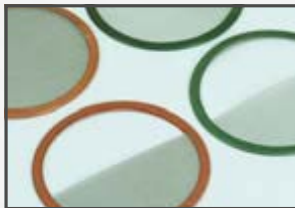
FLOOD	76°	7,81 mt <i>25.6 ft</i>	15,63mt <i>51.3 ft</i>	23,44mt <i>76.9 ft</i>
-------	-----	---------------------------	---------------------------	---------------------------

SPOT	22°	1,94 mt <i>6.4 ft</i>	3,89 mt <i>12.8 ft</i>	5,83 mt <i>19.1 ft</i>
------	-----	--------------------------	---------------------------	---------------------------

LUX AT ANY DISTANCE = Candle Power: [Distance(in m.)]<sup>2</sup>

FC. AT ANY DISTANCE = Candle Power: [Distance(in ft)]<sup>2</sup>

# SUPER LED F14HP VW



## OPTIONALS & ACCESSORIES

<b>F14VWHP.XO.DIN</b>	adder code to order DIN Spigot
<b>355.310</b>	Stainless Steel wire guard
<b>356.110</b>	Four leaf rotating barndoor
<b>356.210</b>	Eight way rotating barndoor
<b>357.300</b>	Color Frame
<b>358.100</b>	Cone with two discs (with front aperture diameter: 70 mm. 50 mm. 30 mm.)
<b>359.100</b>	Set of scrims - Stainless steel
<b>359.101</b>	Full single scrim - Stainless steel
<b>359.102</b>	Full double scrim - Stainless steel
<b>359.103</b>	1/2 single scrim - Stainless steel
<b>359.104</b>	1/2 double scrim - Stainless steel
<b>397.100</b>	Outrigger color frame
<b>397.110</b>	Outrigger color frame holding kit
<b>91.210</b>	Aluminum black painted "C" clamp to hang fixtures overhead and for mounting on pipe with diameters up to 52 mm. (2"), with safety pin (no adapters)
<b>20.100</b>	Safety cable 800 mm. long with 4 mm. diameter steel rope and safety catch.
<b>LT350.110.40</b>	Steel tube Manual Operated stirrup with 28,57 mm. spigot (B.S. 1 1/8"), with top end for attachment to "C" clamp.
<b>LT350.300.40</b>	Steel tube Manual Operated stirrup with 28,00 mm. spigot (D.I.N 1 1/9")
<b>LT350.220.40</b>	Steel tube Manual Operated stirrup with M 12 Threaded hole
<b>LT351.110.40</b>	Pole operated stirrup with 28,57 mm. spigot (B.S. 1 1/8"), with top end for attachment to "C" clamp.
<b>351.300.40</b>	Pole operated stirrup with 28,00 mm. spigot (D.I.N 1 1/9")