

SUPER LED F4.7 VW+C



DATASHEET

rel. 04-2022

DeSisti

SUPER LED F4.7 VW+C

LED Fresnel Spotlight max 100W - CRI>95

White light with addition of RGBA Phosphor color LEDs, Tunable Correlated Color Temperature from 1.800 to 12.000°K

OVERVIEW

The Super LED F4.7 Vari-White + Color maintains the high efficiency DE SISTI Internationally Patented optical system for LED FRESNEL while offering the possibility to color the scene and use effects without compromising the quality of the white light emission.

The same Bi-Color White Leds of the appreciated Vari-white range are being utilized but now with a new addition of red, green, blue and amber leds production unmatched White Color output with supreme color saturation. The color chips are also revolutionary as they are phosphors based which allows color stability through all the situations and through lifetime of the LED

De Sisti F4.7 VW+Color is controlled through 9 modes

- 1) RGBAWW mode: 6 channels color mixing
- 2) GEL mode: Preset Gels + Referral source
- 3) Variwhite + color mode: Tunable White + RGBA
- 4) Variwhite + saturation mode: Tunable White + color correction (+/- green + Cyan and +Amber)
- 5) Ultra CRI mode: CCT from 1.800°K to 12.000°K with +/- Green
- 6) HSI mode: Hue Saturation intensity (User can select the Gamut between Standard and REC709)
- 7) XY mode: X, Y coordinates (extremely precise as based on 4 colors instead only on RGB)
- 8) FX mode: Effects
- 9) Sources mode: Preset Sources

The fixture combines the classical SPOT/FLOOD beam control on an equivalent FOCUS RANGE to a conventional lamp fresnel, with an excellent barn door cutting.

It utilizes Standard accessories from the DE SISTI range of equivalent Fresnel Lens size, such as Barndoor, Color Frame, Cones, Scrims.

MODEL	DESCRIPTION
F4.7VW+C.MO	Super LED F4.7 VW+C - Tunable White +RGBA, Manual Operated
F4.7VW+C.PO	Super LED F4.7 VW+C - Tunable White +RGBA, Pole Operated



WHAT'S INSIDE

FIXTURE HEAD

120 mm. (4.75") diameter Fresnel lens
 POWERCON IN & OUT PANEL CONNECTORS.
 XLR 5 Pin DMX IN & OUT PANEL CONNECTORS.
 110W LED engine with White LEDs (CCT) from 2.800°K till 6.600 °K and Red, Green, Blu and Amber phosphors based - extended CCT in ULTRA CRI mode from 1.800°K to 12.000°K
 Built In Universal Power Supply 90-250V
 50/60Hz DMX controlled.

YOKES

Manual Operated Versions

Mod. LT300.100.40 M.O. stirrup with 16mm (5/8") socket

Pole Operated Versions

Mod. 301.110.40 P.O. yoke with 28,57 mm. spigot (B.S. 1-1/8"), with top end for "C" clamp

ACCESSORIES

Mod. 306.100 four leaf rotating barndoor
 Mod. 307.100 color frame

CABLES

Mod. 5403.135 3 mt. (9.8 ft) detachable Blue POWERCON power cable with bare ends.

DMX cable is not included, to be ordered separately

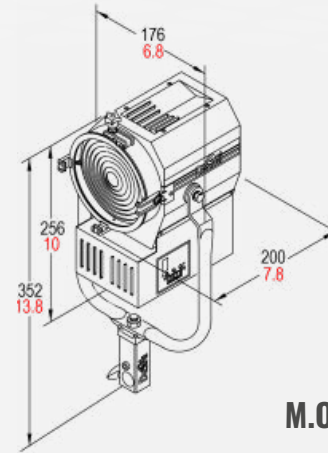


SUPER LED F4.7 VW+C

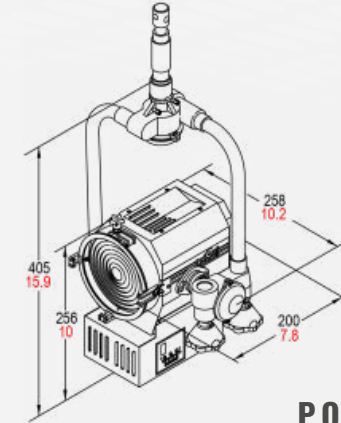
FEATURES

Power to LED	max 100W - flicker free
Rated Voltage & PFC	90-250V 50-60Hz PFC 0,96 - DC48V (optional)
Power consumption	max 115W @ 230V max 115W @120V
Power Connection	powerCON IN & OUT - XLR 3-pin (with DC48V option)
DMX Data link USITT DMX512-A	5-pin XLR for DMX in & out. - W-DMX Lumenradio (optional) Use shielded data cables. Do not overload the daisy chain. Up to a maximum of 32 devices can be used on a single DMX chain.
DMX Channels	8 bit: 7 to 9 (depending if Mode control and Fan control are activated) 39 in Extended mode 16 bit: 8 to 10 (depending if Mode control and Fan control are activated) 40 in Extended mode
LED ARRAY Lifetime	60.000 hours with 70% Lumen Maintenance. The LED ARRAYS are tested and certified up to LM80
CCT	Tunable from 1.800°K to 12.000°K (Ultra CRI) + RGBA
CRI / TLCI	CRI>95 TLCI>96
Protection Type	IP20
Max. Surface Temperature	70° C
Weight of Fixture	M.O. 3,5 Kg (7.7 lb) P.O. 5,4 Kg (11.9 lb)
Weight of Barndoor and Color Frame	4leaf 0,3Kg (0.66lb) 8leaf 0,4Kg (0.88lb) CF 0,13Kg (0.29 lb)
Barndoor & Color Frame ring diameter	BD 133mm / 5.24" CF 129mm / 5.08"
Lens diameter	120mm / 4.75"

DIMENSION



M.O.



P.O.

FEATURES

120 mm. (4.7") diameter high quality, shock resistant Borosilicate glass Fresnel lens on spring supports.

Rugged and lightweight Carbon Steel Housing with low glare black epoxy powder coating and reinforces internal double walls.

DMX (or local) control of the Light intensity from 0 to 100% with smooth transition and theatrical quality dimming...flicker free at any dimming level.

Vari-White CCT and De Sisti Ultra CRI algorithm with a range from 1.800°K to 12.000°K and revolutionary phosphors based color LEDs to allow color stability in every situation

CRI Greater than 95 at any CCT within the range

High efficiency Self Stabilizing Active Cooling: automatic, thermal stabilization of the LED operating temperature is managed by an internal thermal sensor and CPU, variable speed fan and heat sink to maintain the LED Array's constant temperature at a maximum of 65°C. The hydrodynamic bearing fan operates silently with a very low RPM.

Special Patented Optics for LED Technology.

Helix Screw driven focus mechanism which guides Teflon bushings supported LED ENGINE along 2 rods. This ensures smooth operation during focusing in any tilting position of the fixture. The Teflon bushings also provide a wiping action, which cleans the steel guide rails during focus.

The unit is equipped with a hinged lens door and wire guard. One of the 4 accessory brackets has a spring loaded locking knob to safely secure external accessories.

Accessories have been designed for one hand installation.

Available with either positive lock manual yokes for comfort and ease of handling, or pole operated yokes which can be used via the lighting pole for Panning and Tilting the lights as well as manually, since the mechanical activators are equipped with clutches.

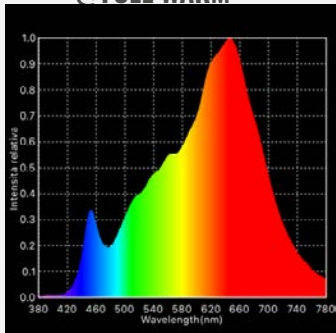
SUPER LED F4.7 VW+C

PHOTOMETRICS

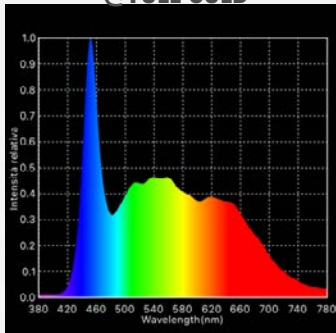
COMING SOON

SPECTRUM

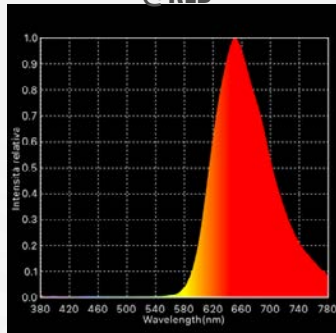
@FULL WARM



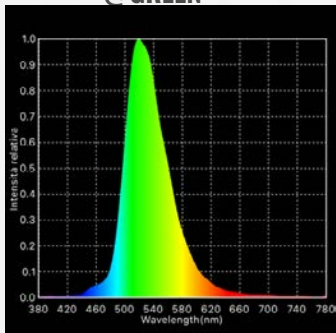
@FULL COLD



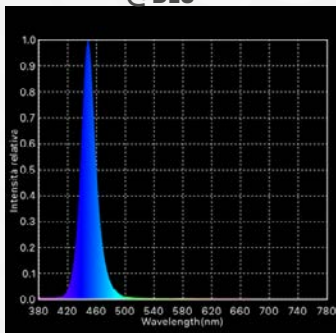
@RED



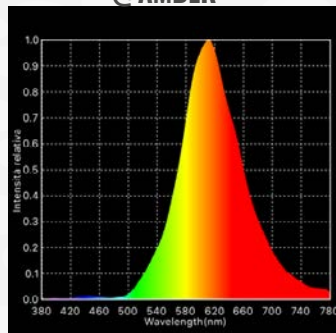
@GREEN



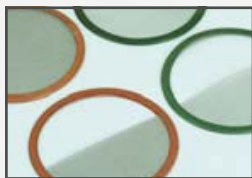
@BLU



@AMBER



SUPER LED F4.7 VW+C



OPTIONS AVAILABLE:

- 48V DC CONNECTION
- LUMENRADIO TIMO TWO MODULE
- 5V USB PLUG

OPTIONALS & ACCESSORIES

F4.7VW+C.XO.DIN	add code to order DIN Spigot
305.310	Stainless Steel wire guard
306.100	Four leaf rotating barndoor
306.200	Eight way rotating barndoor
307.100	Color Frame
308.100	Cone with two discs (with front aperture diameter: 70 mm. 50 mm. 30 mm.)
309.100	Set of scrims - Stainless steel
309.101	Full single scrim - Stainless steel
309.102	Full double scrim - Stainless steel
309.103	1/2 single scrim - Stainless steel
309.104	1/2 double scrim - Stainless steel
91.210	Aluminum black painted "C" clamp to hang fixtures overhead and for mounting on pipe with diameters up to 52 mm. (2"), with safety pin (no adapters)
93.101	Extruded black "C" clamp with 16mm. (5/8") stud
93.104	Extruded black "C" clamp with M 8 threaded stud
20.100	Safety cable 800 mm. long with 4 mm. diameter steel rope and safety catch.
302.631	KIT CASE in REINFORCED MOLDED POLYETILEN for 3 LIGHTS AND ACCESSORIES, including: <ul style="list-style-type: none"> - Black Colour - 3 Sides Carrying Handles - Alluminium profiles, Heavy duty cam-lock, hinges and rolling wheels - for: SUPER LED F4.7 kit 300.600 - DLK 380 - DLK3100.