

Piccoletto FA



DATASHEET

DeSisti

Piccoletto FA

The Miniature LED Fresnel 20W - CRI>96

White light, either Tungsten or Daylight balanced CCT

OVERVIEW

Piccoletto in Italian translates to Very Small. It was the nickname given to Mario De Sisti the beloved founder of DeSisti by the Cinecittà Studio gaffers in the 1950's when Mario started working at age ten. The Piccoletto commemorates Mario DeSisti's exceptional career and achievements in the professional lighting industry as a designer and innovator.

The Piccoletto name is engraved with Mario's personal handwriting to help preserve his legacy as the genius behind one of the leading international lighting brands in the World.

Mario De Sisti → Piccoletto

The PICCOLETTO is a high efficiency Fresnel lens spotlight using a High Output 20W COB (Chip on Board) LED ARRAY and with an enhanced CRI (Colour Rendering Index) higher than 96 for appropriate chromacity performances. The PICCOLETTO is available with either Tungsten (3.200°K) or Daylight (5.600°K) Balanced CCT (Correlated Colour Temperature), in both cases with a CRI higher than 96. The fixture combines the classical SPOT/FLOOD beam control on an equivalent FOCUS RANGE to a conventional lamp Fresnel, with an excellent barn door cutting

MODEL	DESCRIPTION
100T.FA	Piccoletto T Local - Tungsten CCT, Manual Operated
100T.FAT	Piccoletto T Local - Tungsten CCT, Track mount
100D.FA	Piccoletto D Local - Daylight CCT, Manual Operated
100D.FAT	Piccoletto D Local - Daylight CCT, Track mount



WHAT'S INSIDE

FIXTURE HEAD

80 mm. (3-5/32") diameter Fresnel lens
Local Potentiometer Control
2 m. power cord 3x0,5 sqmm. bare ends
20W high power CRI>96 LED
Built In Universal Power Supply 90-250V
50/60Hz DMX controlled.

YOKES

Manual Operated Versions

Mod. 100.110.40 M.O. stirrup with with 16 mm. (5/8") Receiver (Socket)

Track Mount Versions

M.O. stirrup with hole to accept track adapter mounting.
Mains Cables is guided on the yoke and with bare ends to mount on track adapter

ACCESSORIES

Mod. 106.100 four leaf rotating barndoor

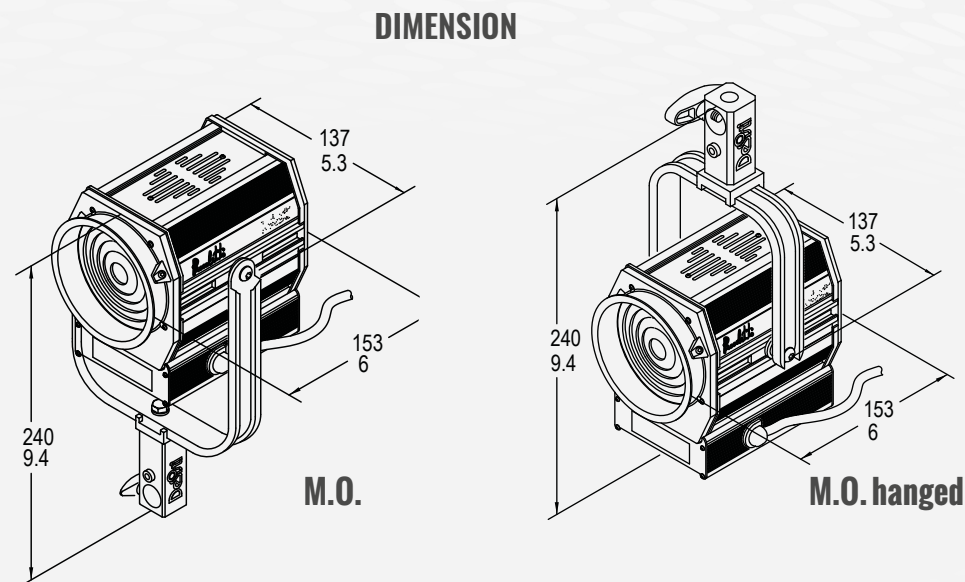
DMX cable is not included, to be ordered separately

DeSisti

Piccoletto FA

FEATURES

Power to LED	30W - DC current to the LED - flicker free
Rated Voltage & PFC	90-250V 50-60Hz PFC 0,96
Power consumption	32W @ 230V 35W @120V
Power Cable	2 m. power cord 3x0,5 sqmm
Dimming control	Local potentiometer
LED ARRAY Lifetime	55.000 hours with 90% Lumen Maintenance. The LED ARRAYS are tested and certified up to LM80
CCT	T: 3.200°K D: 5.600°K
CRI / TLCI	T: 97 / 96 D: 96 / 97
Protection Type	IP20
Max. Housing Surface Temperature	60° C
Weight of Fixture included yoke	0,95 Kg (2.1 lb)
Weight of Barndoor	4 leaf 0,1 Kg (0.22 lb)
Weight of Detachable Power Supply 90-250V	0,32 Kg (0.71 lb)
Lens diameter	80mm / 3-5/32"



FEATURES

80 mm diameter high quality, shock resistant Borosilicate glass Fresnel lens.

The Light Levels are in excess of 280 lux at 3 m. distance with an exceptionally wide flood (more than 64° Beam angle) and in excess of 1.000 lux in full Spot. The quality of the distribution is at TOP LEVEL

Rugged and Lightweight aluminium housing with low glare black epoxy powder coating, internal double walls and reinforcements, an exact miniature of bigger lights.

1 kg. Self Weight in battery operation configuration and 1,3 kg. in Mains operation configuration.....these values are including the 4 leaves rotating Barndoor.

High efficiency Self Stabilizing Active Cooling: Automatic, thermal stabilization of the LED operating temperature is managed by an internal thermal sensor and CPU, variable speed fan and heat sink to maintain the LED Array's constant temperature at a maximum of 65°C. The hydro dynamic bearing fan operates silently with a very low RPM.

Special Patented Optics for LED Technology.

Linear Bearing sliding focus mechanism which guides the LED ENGINE. This ensures smooth operation during focusing, in any tilting position of the fixture.

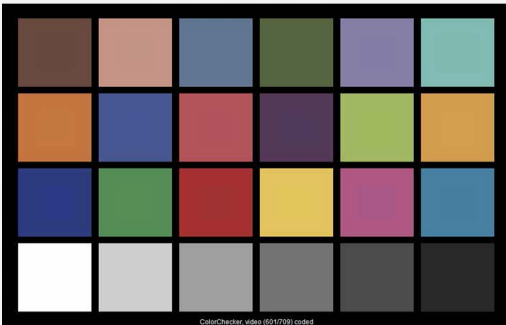
The accessories are secure regardless of the orientation of the fixture. Accessories have been designed for one hand installation.

Piccoletto FA

TLCI

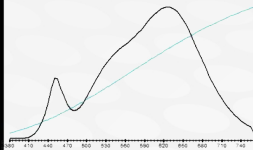
TUNGSTEN CCT

De Sisti PICCOLETTO - 20W - Tungsten : CCT = P3005 (+0.3)
TLCI-2012: 96 (P3005)



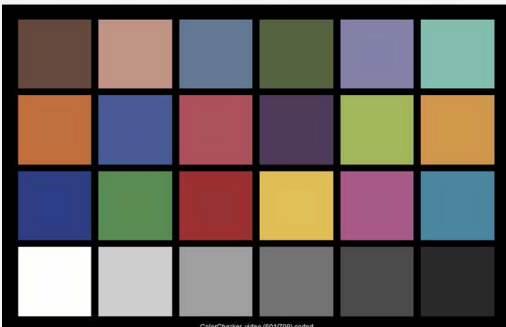
Television Lighting Consistency Index-2012

Sector	Lightness	Chroma	Hue
R	0	0	0
RY	0	0	--
Y	0	-	-
YG	0	-	0
G	0	0	+
G/C	0	0	+
C	0	0	++
C/B	+	0	+
B	0	-	-
B/M	+	-	+
M	0	0	+++
M/R	+	0	++



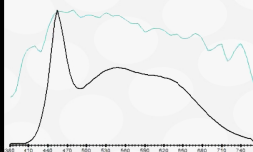
DAYLIGHT CCT

De Sisti PICCOLETTO - 20W - Daylight : CCT = D5851 (+0.8)
TLCI-2012: 97 (D5851)



Television Lighting Consistency Index-2012

Sector	Lightness	Chroma	Hue
R	0	0	0
RY	0	0	--
Y	0	0	-
YG	0	0	0
G	0	0	0
G/C	0	0	0
C	0	0	-
C/B	+	0	---
B	0	-	0
B/M	0	0	+
M	0	0	0
M/R	+	0	0



PHOTOMETRICS

// Piccoletto FA

Central Light intensity (Candle Power)

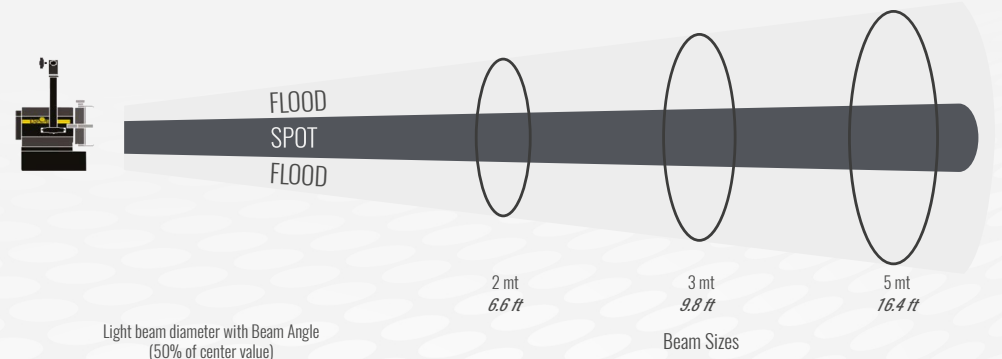
Illumination center values at Distances

3.200°K TUNGSTEN BALANCED C.C.T. (Correlated Color Temperature) - 30W (CRI 97) - TLCI: 96

	Central Light intensity (Candle Power)	2 mt 6.6 ft	3 mt 9.8 ft	5 mt 16.4 ft
FLOOD	2.520 cd	630 lux <i>59 FC</i>	280 lux <i>26 FC</i>	101 lux <i>9 FC</i>
SPOT	9.909 cd	2.477 lux <i>230 FC</i>	1.101 lux <i>102 FC</i>	396 lux <i>37 FC</i>

5.600°K DAYLIGHT BALANCED C.C.T. (Correlated Color Temperature) - 30W (CRI 96) - TLCI: 97

	Central Light intensity (Candle Power)	2 mt 6.6 ft	3 mt 9.8 ft	5 mt 16.4 ft
FLOOD	2.790 cd	698 lux <i>65 FC</i>	310 lux <i>29 FC</i>	112 lux <i>10 FC</i>
SPOT	11.007 cd	2.752 lux <i>256 FC</i>	1.223 lux <i>114 FC</i>	440 lux <i>41 FC</i>



	Beam Angle	2 mt 6.6 ft	3 mt 9.8 ft	5 mt 16.4 ft
FLOOD	70°	2,80 mt <i>9.2 ft</i>	4,20 mt <i>13.8 ft</i>	7,00 mt <i>23.0 ft</i>
SPOT	16°	0,56 mt <i>1.8 ft</i>	0,84 mt <i>2.8 ft</i>	1,41 mt <i>4.6 ft</i>

	Field Angle	2 mt 6.6 ft	3 mt 9.8 ft	5 mt 16.4 ft
FLOOD	82°	3,48 mt <i>11.4 ft</i>	5,22 mt <i>17.1 ft</i>	8,69 mt <i>28.5 ft</i>
SPOT	25°	0,89 mt <i>2.9 ft</i>	1,33 mt <i>4.4 ft</i>	2,22 mt <i>7.3 ft</i>

LUX AT ANY DISTANCE = Candle Power: [Distance(in m.)]²

FC. AT ANY DISTANCE = Candle Power: [Distance(in ft)]²

Piccoletto FA

OPTIONALS & ACCESSORIES

106.100	Four leaf rotating barndoor
106.200	Eight way rotating barndoor
Mains / Adapter c/W Ass'y	Supply of MAINS Adapter for E-Track Black, including Assembling onto the Lighting Fixture's Yoke, connections and testing
EUT-225-20-2	E-TRACK Mains/DMX Black Track 2m. Long 7-conductor surface track for three circuits plus data bus, black color
EUT-225-30-2	E-TRACK Mains/DMX Black Track 3 mt. Long 7-conductor surface track for three circuits plus data bus, black color
EUT-225-40-2	E-TRACK Mains/DMX Black Track 4 mt. Long 7-conductor surface track for three circuits plus data bus, black color
EUT-555-2-1206-2	Linear Junction for E-TRACK Mains/DMX Black Straight coupler
EUT-555-2-1201-2	End feed right black for E-TRACK Mains/DMX Black
EUT-555-0-1217-2	End cup black for E-TRACK Mains/DMX Black
EUT-99-075-2	Pendant clip black for suspension by steel wire or pendant rod, incl. M13 x 1 nut material: aluminium anodized or powder coated for E-TRACK Mains/DMX Black
Color option	SPECIAL COLOR ADDER COST Option for PICCOLETTO Choice between - White / Silver / Gold / Chrome Some Functional Parts of the product will remain of the original material color or black painted. Please verify with DE SISTI the exact COLORATION on a sample unit