

# Piccoletto VW



DATASHEET

DeSisti

# Piccoletto VW

## The Miniature LED Fresnel 30W - CRI>95

White light, with Tunable Correlated Color Temperature from 2.800 to 6.600°K

### OVERVIEW

Piccoletto in Italian translates to Very Small. It was the nickname given to Mario De Sisti the beloved founder of DeSisti by the Cinecittà Studio gaffers in the 1950's when Mario started working at age ten. The Piccoletto commemorates Mario DeSisti's exceptional career and achievements in the professional lighting industry as a designer and innovator.

The Piccoletto name is engraved with Mario's personal handwriting to help preserve his legacy as the genius behind one of the leading international lighting brands in the World.

Mario De Sisti → Piccoletto

The PICCOLETTO is a high efficiency Fresnel lens spotlight using a De Sisti 30W Vari-White LED ARRAY and with an enhanced CRI (Color Rendering Index) higher than 95 for appropriate chromacity performances. The PICCOLETTO provides the ability to tune the Correlated Color Temperature from a minimum of 2.800°K to a maximum of 6.600°K with an enhanced CRI (Color Rendering Index) higher than 95 at any CCT within the range.

The fixture combines the classical SPOT/FLOOD beam control on an equivalent FOCUS RANGE to a conventional lamp Fresnel, with an excellent barn door cutting

MODEL	DESCRIPTION
100VW.F	Piccoletto VW DMX - Tunable CCT, Manual Operated
100VW.FT	Piccoletto VW DMX - Tunable CCT, Track mount



### WHAT'S INSIDE

#### FIXTURE HEAD

80 mm. (3-5/32") diameter Fresnel lens  
Local Potentiometer Control and Remote DMX Control  
2 m. power cord 3x0,5 sqmm. bare ends  
XLR 5 Pin DMX IN & OUT PANEL CONNECTORS.  
30W high output CRI>95 LED with Tunable CCT from 2.800°K till 6.600 °K  
Built In Universal Power Supply 90-250V  
50/60Hz DMX controlled.

#### YOKES

##### Manual Operated Versions

Mod. 100.110.40 M.O. stirrup with with 16 mm. (5/8") Receiver (Socket)

##### Track Mount Versions

M.O. stirrup with hole to accept track adapter mounting.

DMX and Mains Cables are guided on the yoke and with bare ends to mount on track adapter

##### ACCESSORIES

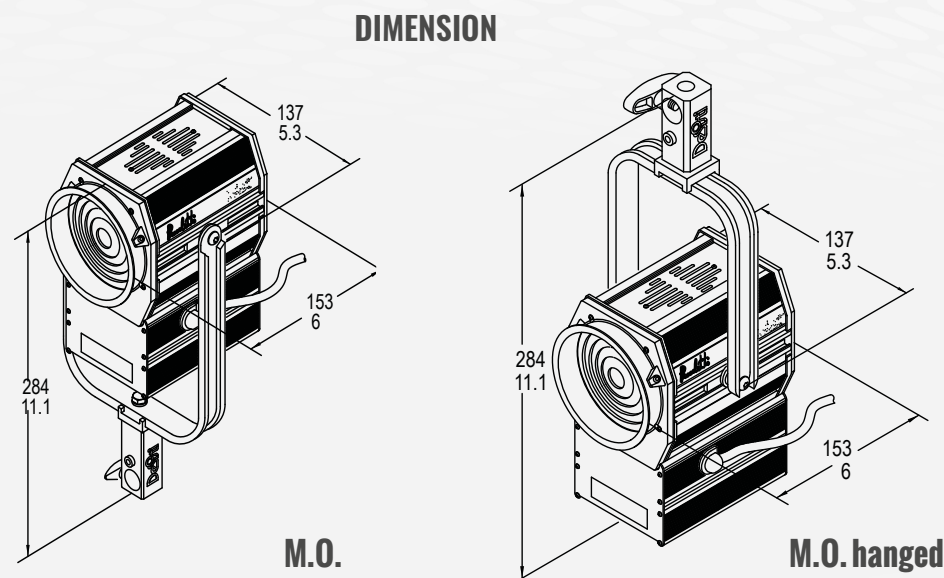
Mod. 106.100 four leaf rotating barndoor  
Mod. 107.100 color frame

DMX cable is not included, to be ordered separately



# Piccoletto VW

FEATURES	
<b>Power to LED</b>	30W - DC current to the LED - flicker free
<b>Rated Voltage &amp; PFC</b>	90-250V 50-60Hz PFC 0,96
<b>Power consumption</b>	32W @ 230V   35W @120V
<b>Power Cable</b>	2 m. power cord 3x0,5 sqmm
<b>DMX Data link USITT DMX512-A</b>	5-pin XLR for DMX in & out. Use shielded data cables. Do not overload the daisy chain. Up to a maximum of 32 devices can be used on a single DMX chain.
<b>DMX Channels</b>	3: Dimmer/Light Intensity, CCT Control, Mode of CCT Control (steps or continuous)
<b>LED ARRAY Lifetime</b>	55.000 hours with 80% Lumen Maintenance. The LED ARRAYS are tested and certified up to LM80
<b>CCT</b>	Tunable from 2.800°K to 6.600°K
<b>CRI / TLCI</b>	CRI>95 TLCI:96
<b>Protection Type</b>	IP20
<b>Max. Housing Surface Temperature</b>	60° C
<b>Weight of Fixture included yoke</b>	0,95 Kg (2.1 lb)
<b>Weight of Barndoor</b>	4 leaf 0,1 Kg (0.22 lb)
<b>Weight of Detachable Power Supply 90-250V</b>	0,32 Kg (0.71 lb)
<b>Lens diameter</b>	80mm / 3-5/32"



## FEATURES

80 mm diameter high quality, shock resistant Borosilicate glass Fresnel lens.

The Light Levels with the Daylight LED are in excess of 180 lux at 3 m. distance with an exceptionally wide flood (more than 64° Beam angle) and in excess of 900 lux in full Spot. The quality of the distribution is at TOP LEVEL

The Lighting Fixture is DMX Controlled for:

- 0 to 100% with a super smooth Dimming
- STEP MODE for CCT Control: Increments of 400°K every 10% of DMX variation
- CONTINUOUS MODE for CCT control.

Rugged and Lightweight aluminium housing with low glare black epoxy powder coating, internal double walls and reinforces, an exact miniature of bigger lights.

Vari-White CCT technology with a range from 2.800°K to 6.600°K

CRI Greater than 95 at any CCT within the range

High efficiency Self Stabilizing Active Cooling: Automatic, thermal stabilization of the LED operating temperature is managed by an internal thermal sensor and CPU, variable speed fan and heat sink to maintain the LED Array's constant temperature at a maximum of 65°C. The hydro dynamic bearing fan operates silently with a very low RPM.

Special Patented Optics for LED Technology.

Linear Bearing sliding focus mechanism which guides the LED ENGINE. This ensures smooth operation during focusing, in any tilting position of the fixture.

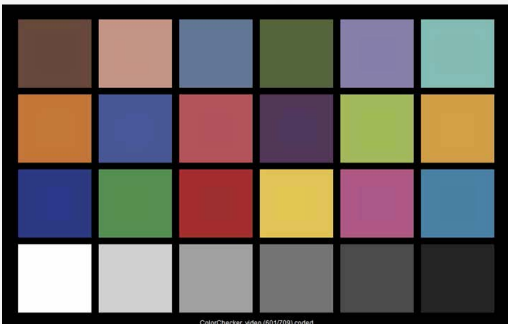
The accessories are secure regardless of the orientation of the fixture. Accessories have been designed for one hand installation.

# Piccoletto VW

## TLCI

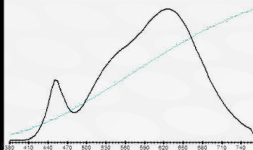
### TUNGSTEN CCT

De Sisti PICCOLETTO - 30W - Tungsten : CCT = P3005 (+0.3)  
TLCI-2012: 96 (P3005)



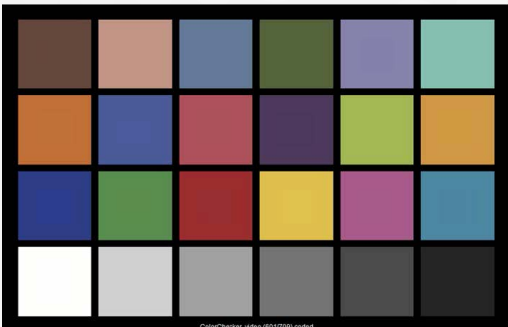
### Television Lighting Consistency Index-2012

Sector	Lightness	Chroma	Hue
R	0	0	0
RY	0	-	-
Y	0	-	-
YIG	0	-	0
G	0	0	+
GIC	0	0	+
C	0	0	++
CIB	+	0	-
B	0	-	-
BIM	+	+	+
M	0	0	+++
MIR	+	0	++



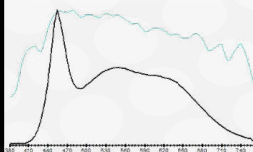
### DAYLIGHT CCT

De Sisti PICCOLETTO - 30W - Daylight : CCT = D5851 (+0.8)  
TLCI-2012: 97 (D5851)



### Television Lighting Consistency Index-2012

Sector	Lightness	Chroma	Hue
R	0	0	0
RY	-	0	-
Y	0	0	-
YIG	0	0	0
G	0	0	0
GIC	0	0	0
C	0	0	-
CIB	+	0	---
B	0	-	0
BIM	0	0	+
M	0	0	0
MIR	+	0	0



## PHOTOMETRICS

### // Piccoletto VW

Central Light intensity (Candle Power)

Illumination center values at Distances

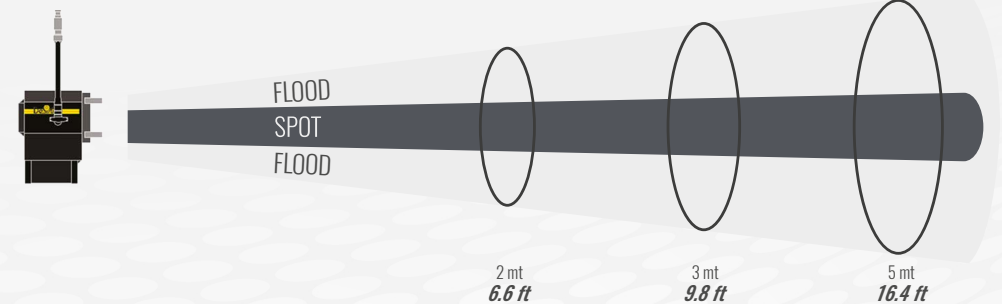
**FULL FLOOD - C.C.T. tunable from 2.800°K to 6.600°K - 30W (CRI >95) - TLCI: 96**

FLOOD @ 2.800°K CCT	1.632 cd	408 lux <i>38 FC</i>	181 lux <i>17 FC</i>	65 lux <i>6 FC</i>
FLOOD @ 6.600°K CCT	1.665 cd	416 lux <i>39 FC</i>	185 lux <i>17 FC</i>	67 lux <i>6 FC</i>

**FULL SPOT - C.C.T. tunable from 2.800°K to 6.600°K - 30W (CRI >95) - TLCI: 96**

SPOT @ 2.800°K CCT	8.291 cd	2.073 lux <i>193 FC</i>	921 lux <i>86 FC</i>	332 lux <i>31 FC</i>
SPOT @ 6.600°K CCT	8.460 cd	2.115 lux <i>196 FC</i>	940 lux <i>87 FC</i>	338 lux <i>31 FC</i>

2 mt *6.6 ft*      3 mt *9.8 ft*      5 mt *16.4 ft*



Light beam diameter with Beam Angle  
(50% of center value)

FLOOD	80°	3,36 mt <i>11.0 ft</i>	5,03 mt <i>16.5 ft</i>	8,39 mt <i>27.5 ft</i>
SPOT	18°	0,63 mt <i>2.1 ft</i>	0,95 mt <i>3.1 ft</i>	1,58 mt <i>5.2 ft</i>

Light beam diameter with Field Angle  
(10% of center value)

FLOOD	96°	4,44 mt <i>14.6 ft</i>	6,66 mt <i>21.9 ft</i>	11,11 mt <i>36.4 ft</i>
SPOT	30°	1,07 mt <i>3.5 ft</i>	1,61 mt <i>5.3 ft</i>	2,68 mt <i>8.8 ft</i>

LUX AT ANY DISTANCE = Candle Power: [Distance(in m.)]<sup>2</sup>

FC. AT ANY DISTANCE = Candle Power: [Distance(in ft)]<sup>2</sup>



# Piccoletto VW

## OPTIONALS & ACCESSORIES

<b>106.100</b>	Four leaf rotating barndoor
<b>106.200</b>	Eight way rotating barndoor
<b>107.100</b>	Color frame
<b>5402.503</b>	DMX DAISY CHAIN CABLE 3 mt. (10') LONG, including: - 3 mt. (10') cable terminated with XLR 5 pin Connectors (male and female) at the ends, to allow daisy chain of DMX fixtures.
<b>Mains / DMX Adapter c/W Ass'y</b>	Supply of MAINS / DMX Adapter for E-Track Black, including Assembling onto the Lighting Fixture's Yoke, connections and testing
<b>EUT-225-20-2</b>	E-TRACK Mains/DMX Black Track 2m. Long 7-conductor surface track for three circuits plus data bus, black color
<b>EUT-225-30-2</b>	E-TRACK Mains/DMX Black Track 3 mt. Long 7-conductor surface track for three circuits plus data bus, black color
<b>EUT-225-40-2</b>	E-TRACK Mains/DMX Black Track 4 mt. Long 7-conductor surface track for three circuits plus data bus, black color
<b>EUT-555-2-1206-2</b>	Linear Junction for E-TRACK Mains/DMX Black Straight coupler
<b>EUT-555-2-1201-2</b>	End feed right black for E-TRACK Mains/DMX Black
<b>EUT-555-0-1217-2</b>	End cup black for E-TRACK Mains/DMX Black
<b>EUT-99-075-2</b>	Pendant clip black for suspension by steel wire or pendant rod, incl. M13 x 1 nut material: aluminium anodized or powder coated for E-TRACK Mains/DMX Black
<b>Color option</b>	SPECIAL COLOR ADDER COST Option for PICCOLETTO Choice between - White / Silver / Gold / Chrome Some Functional Parts of the product will remain of the original material color or black painted. Please verify with DE SISTI the exact COLORATION on a sample unit