

SOFT LED 4 VW +C



DATASHEET

rel. 04-2022

DeSisti

SOFT LED 4 VW +C

LED Softlight 230W - CRI>95

White light with addition of RGBA Phosphor color LEDs, Tunable Correlated Color Temperature from 1.800 to 12.000°K

OVERVIEW

The SOFT LED 4 VW +Color is the DE SISTI answer to the increasing demand of COMPACT FIXTURES for SOFTLIGHTING offering the possibility to color the scene and use effects without compromising the quality of the white light emission.

The same Bi-Color White Leds of the appreciated Vari-White range are being utilized but now with a new addition of red, green, blue and amber leds production unmatched White Color output with supreme color saturation. The color chips are also revolutionary as they are phosphors based which allows color stability through all the situations and through lifetime of the LED.

It provides a super even - soft beam projection and the following main features:

- a controlled Beam and SOFT White Source, ideal for multiple camera use in the studio, with more effective control of the beam projection and effective Honeycombs
- a beautiful EVEN DISTRIBUTION and a real quality projection with precise reference white.
- NO PIXEL EFFECT from the LED (which is a problem from many other Brand's LED PANELS in the market).
- Contained Size, reduced weight and exceptional efficiency for energy savings and lit Talent comfort.
- Choice of Manual or Pole operation, the full dimming is through DMX and the LEDs are supplied with DC throughout the 0 to 100% dimming range, for a full FLICKER FREE operation and super smooth cross fades.
- The unit is self contained and requires no other external power supplies or devices....both Mains and DMX connections are DAISY Chainable.

MODEL	DESCRIPTION
S4VW+C.MO	SoftLED 4 VW + Color - Tunable White +RGBA, Manual Operated
S4VW+C.PO	SoftLED 4 VW + Color - Tunable White +RGBA, Pole Operated



WHAT'S INSIDE

FIXTURE HEAD

POWERCON IN & OUT PANEL CONNECTORS.
XLR 5 Pin DMX IN & OUT PANEL CONNECTORS.
230W LED engine with White LEDs (CCT) from 2.800°K till 6.600 °K and Red, Green, Blu and Amber phosphors based - extended CCT in ULTRA CRI mode from 1.800°K to 12.000°K

Built In Universal Power Supply 90-250V
50/60Hz DMX controlled.

YOKES

Manual Operated Versions

Mod. S4MO.110.40 M.O. stirrup with 28,57 mm. spigot (B.S. 1-1/8"), with top end for "C" clamp

Pole Operated Versions

Mod. S4MO.110.40 P.O. yoke with 28,57 mm. spigot (B.S. 1-1/8"), with top end for "C" clamp

ACCESSORIES

Mod. S4DIF Diffuser Panel for SOFT LED 4

CABLES

Mod. 5403.135 3 mt. (9.8 ft) detachable Blue POWERCON power cable with bare ends.

DMX cable is not included, to be ordered separately

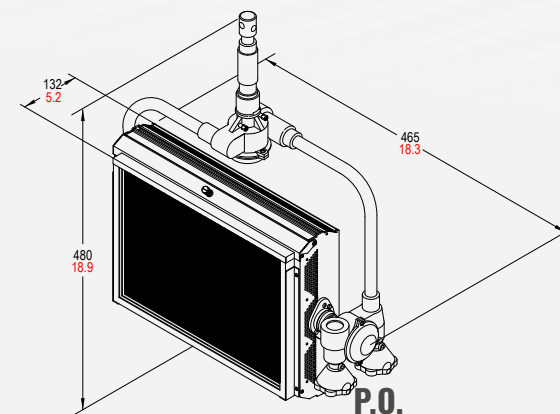
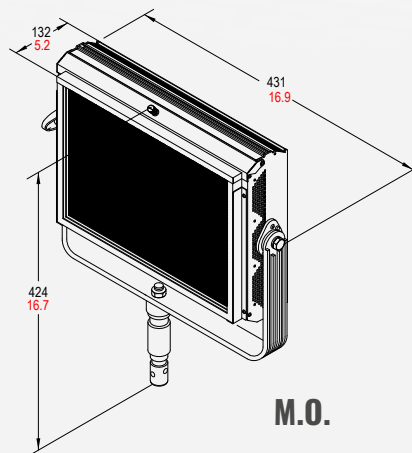


SOFT LED 4 VW + C

FEATURES

Power to LED	230W - DC current to the LED - flicker free
Rated Voltage & PFC	90-250V 50-60Hz PFC 0,96 - DC48V (optional)
Power consumption	260W @ 230V 260W @120V
Power Connection	powerCON IN & OUT - XLR 3-pin (with DC48V option)
DMX Data link USITT DMX512-A	5-pin XLR for DMX in & out. - W-DMX Lumenradio (optional) Use shielded data cables. Do not overload the daisy chain. Up to a maximum of 32 devices can be used on a single DMX chain.
DMX Channels	8 bit: 7 to 9 (depending if Mode control and Fan control are activated) 39 in Extended mode 16 bit: 8 to 10 (depending if Mode control and Fan control are activated) 40 in Extended mode
LED BOARDS Life-time	60.000 hours with 70% Lumen Maintenance. The LED BOARDS are tested and certified up to LM80
CCT	Tunable from 1.800°K to 12.000°K + RGBA color and color correction mode
CRI / TLCI	>95 / >96
Protection Type	IP20
Max. Housing Surface Temperature	70° C
Weight of Fixture with yoke (integrated PSU)	M.O. 5,5 Kg (12.1 lb) P.O. 6,7 Kg (14.8 lb)

DIMENSION



FEATURES

Vari-White CCT technology with a range from 1.800°K to 12.000°K and revolutionary phosphors based color LEDs to allow color stability in every situation

Rugged and Lightweight Aluminium extrusion housing with Black Oxidation low glare finishing

High efficiency, silent passive heat management. Thermal stabilization of the LED operating temperature is managed by an internal thermal sensor and CPU, variable fan speed and heat sink to maintain the LEDs at optimal constant temperature.

DMX (or local) control of the Light intensity from 0 to 100% with smooth transition and theatrical quality dimming...flicker free at any dimming level.

100% flicker free system with universal Power Supply unit 90-250V to work in every condition and frame rate.

Available with either positive lock manual yokes for comfort and ease of handling, or pole operated yokes.

Honeycombs and intensifier accessories work perfectly to shape and control the beam spread.

DMX daisy chaining and Power Pass Through features allow for quicker installations of the lighting system.

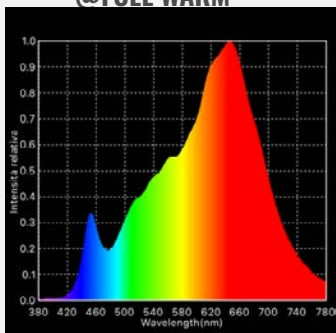
De Sisti S4 VW+Color is controlled through 9 modes:

- 1) RGBAWW mode: 6 channels color mixing
- 2) GEL mode: Preset Gels + Referral source
- 3) Variwhite + color mode: Tunable White + RGBA
- 4) Variwhite + saturation mode: Tunable White + color correction (+/- green + Cyan and +Amber)
- 5) Ultra CRI mode: CCT from 1.800°K to 12.000°K
- 6) HSI mode: Hue Saturation intensity (User can select the Gamut between Standard and REC709)
- 7) XY mode: X, Y coordinates (extremely precise as based on 4 colors instead only on RGB)
- 8) FX mode: Effects
- 9) Sources mode: Preset Sources

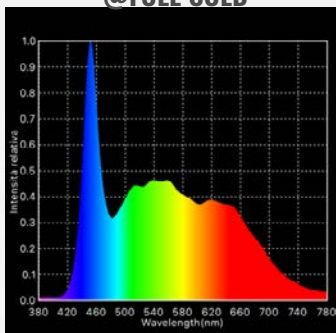
SOFT LED 4 VW + C

SPECTRUM

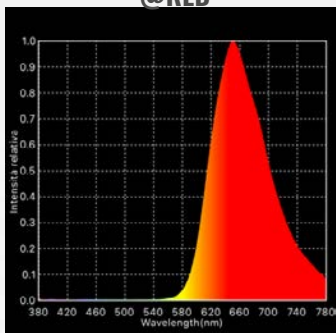
@FULL WARM



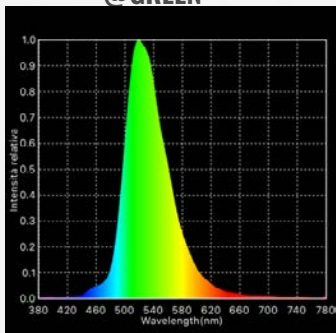
@FULL COLD



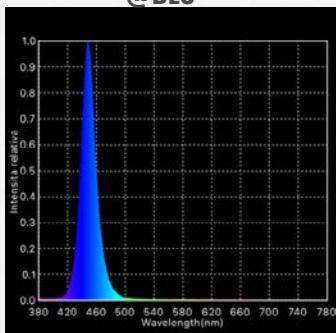
@RED



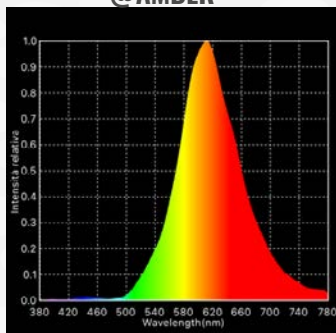
@GREEN



@BLU



@AMBER



PHOTOMETRICS

Vari-White + Color at C.C.T. (Correlated Color Temperature) balanced to 3.200°K - 230W (CRI>95 - TLCI>95) - ULTRA CRI MODE

Illumination center values at the following distances

2 mt	3 mt	5 mt
6.6 ft	9.8 ft	16.4 ft

S4 VW+C at 3.200°K w/o Front Accessories Central Light intensity (Candle Power)	9.450 cd	2.363 lux 219 FC	1.050 lux 98 FC	378 lux 35 FC
S4 VW+C at 3.200°K with Medium Black H.Comb Central Light intensity (Candle Power)	8.070 cd	2.018 lux 187 FC	897 lux 83 FC	323 lux 30 FC
S4 VW+C at 3.200°K with Narrow Black H.Comb Central Light intensity (Candle Power)	7.730 cd	1.933 lux 180 FC	859 lux 80 FC	309 lux 29 FC

Vari-White at C.C.T. (Correlated Color Temperature) balanced to 5.600°K - 230W (CRI>95 - TLCI>95) - ULTRA CRI MODE

Illumination center values at the following distances

2 mt	3 mt	5 mt
6.6 ft	9.8 ft	16.4 ft

S4 VW+C at 5.600°K w/o Front Accessories Central Light intensity (Candle Power)	11.250 cd	2.813 lux 261 FC	1.250 lux 110 FC	450 lux 42 FC
S4 VW+C at 5.600°K with Medium Black H.Comb Central Light intensity (Candle Power)	9.608 cd	2.402 lux 223 FC	1.008 lux 94 FC	363 lux 34 FC
S4 VW+C at 5.600°K with Narrow Black H.Comb Central Light intensity (Candle Power)	9.203 cd	2.301 lux 214 FC	965 lux 90 FC	347 lux 32 FC

Light beam Width with Beam Angle w/o accessories	98°	4,60 mt 15.1 ft	6,90 mt 22.6 ft	11,50 mt 37.7 ft
Light beam Height with Beam Angle w/o accessories	62°	2,40 mt 7.9 ft	3,61 mt 11.8 ft	6,01 mt 19.7 ft
Light beam Width with Beam Angle with Medium Black H.Comb	45°	1,66 mt 5.4 ft	2,49 mt 8.2 ft	4,14 mt 13.6 ft
Light beam Height with Beam Angle with Medium Black H.Comb	44°	1,62 mt 5.3 ft	2,42 mt 8.0 ft	4,04 mt 13.3 ft
Light beam Width with Beam Angle with Narrow Black H.Comb	35°	1,26 mt 4.1 ft	1,89 mt 6.2 ft	3,15 mt 10.3 ft
Light beam Height with Beam Angle with Narrow Black H.Comb	34°	1,22 mt 4.0 ft	1,83 mt 6.0 ft	3,06 mt 10.0 ft

SOFT LED 4 VW +C

OPTIONALS & ACCESSORIES

S4VW+C.XO.DIN	adder code to order DIN Spigot
S4-HCN	BLACK Honeycomb for SOFT LED 4 fixtures, 1/4" black honeycomb, NARROW.
S4-HCM	BLACK Honeycomb for SOFT LED 4 units, 1/2" black honeycomb, MEDIUM.
S4-IN	Intensifier for SOFT LED 4 fixtures
S4-CF	Color Frame for SOFT LED 4 fixtures
S4-CYC	Cyclorama HOOD for asymmetrical emission of SOFT LED 4 fixtures to illuminate backgrounds & cys.
S4MO.110.40	Manual Operated Stirrup with B.S. spigot for SOFT LED 4 fixtures
S4MO.220.40	Manual Operated stirrup (w/o spigot) for SOFT LED 4 fixtures
S4PO.110.40	Pole Operated Stirrup with B.S. spigot for SOFT LED 4 fixtures
S4PO.300.40	Pole Operated Stirrup with DIN spigot for SOFT LED 4 fixtures

OPTIONS AVAILABLE:

- 48V DC CONNECTION
- LUMENRADIO TIMO TWO MODULE
- 5V USB PLUG